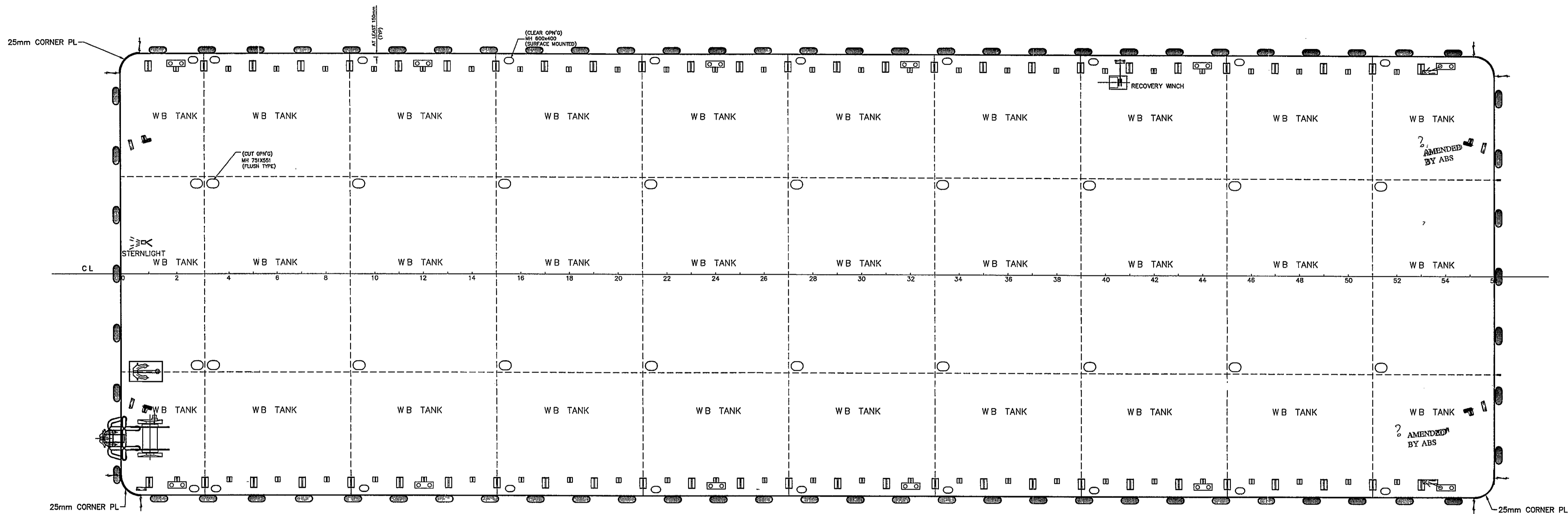
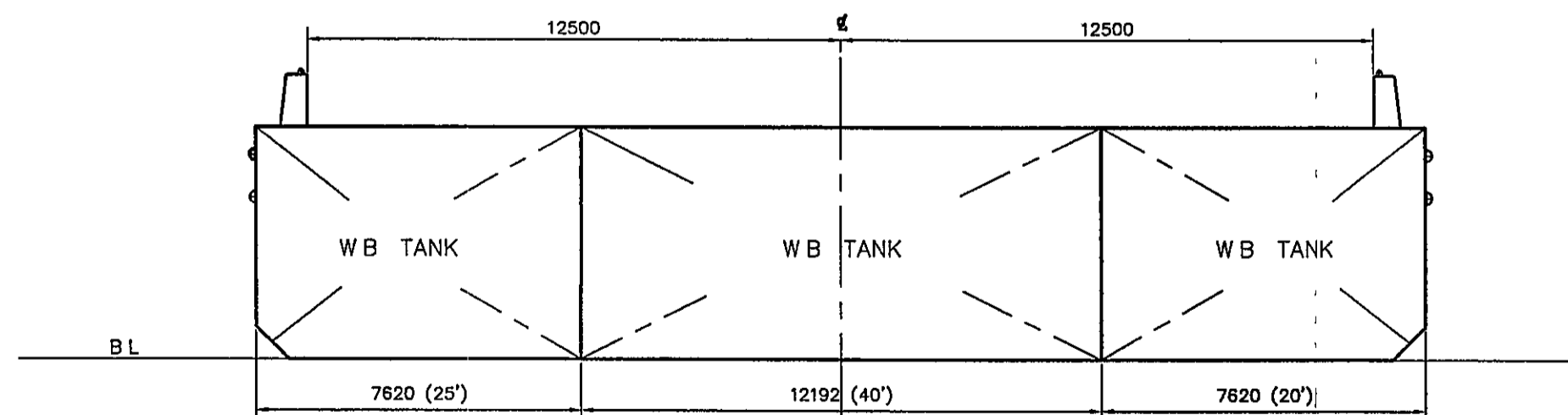


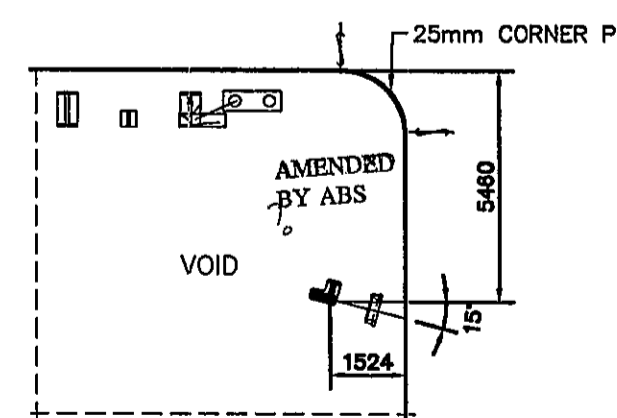
OUTBOARD PROFILE



MAIN DECK



MIDSHIP SECTION



TOWING BRACKET & CHOCK
INSTALLATION DETAIL
PORT SHOWN, STB SIMILAR

PRINCIPAL PARTICULARS

LENGTH OA(MLD)	282' (85 976 m)
BEAM(MLD)	90' (27 439 m)
DEPTH(MLD)	18' (5 488 m)
DRAFT LOADED	15' (4,573 m)
DECK LOAD	15t/m ²

SHIP'S COPY

REVIEWED
as indicated in
ABS Letter dated
14 AUG 2006
AS AMENDED
BY ABS
SINGAPORE

CONAN WU & ASSOCIATES PTE LTD
14 JUL 2006

07.08.06 MODIFIED AS PER OWNER'S REQUEST.				A	ZHAN
DATE	MODIFICATION	REV	BY		
SHIP: 282' x 90' x 18' DECK CARGO/TANK BARGE					
TITLE: GENERAL ARRANGEMENT					
OWNER	CIESCO (SINGAPORE) PTE LTD				
BUILDER	NANTONG YAHUA SHIPBUILDING CO LTD		YARD NO. NYHS2006-08		
CLASS	ABS				
CONAN WU & ASSOCIATES NAVAL ARCHITECTS INFORMATICS BLDG., LEVEL 3, 5 INTERNATIONAL BUSINESS PARK, JURONG EAST ST 11, S'PORE 2260 TEL (65) 562-1138 FAX (65) 562-1238, (65) 562-0123					
DRAWN	CHECKED	APPROVED	SCALE	DRAWING NO.	REV
SHIMA	T S CHUA		1:150	C4197/G-1	A
08 05 06	09 05 06				

THIS DRAWING AND THE INFORMATION CONTAINED HEREIN ARE SUPPLIED ON THE UNDERSTANDING THAT THEY ARE THE EXCLUSIVE PROPERTY OF CONAN WU & ASSOCIATES THEY MUST NOT BE USED OR REPRODUCED IN WHOLE OR IN PART WITHOUT PERMISSION IN WRITING