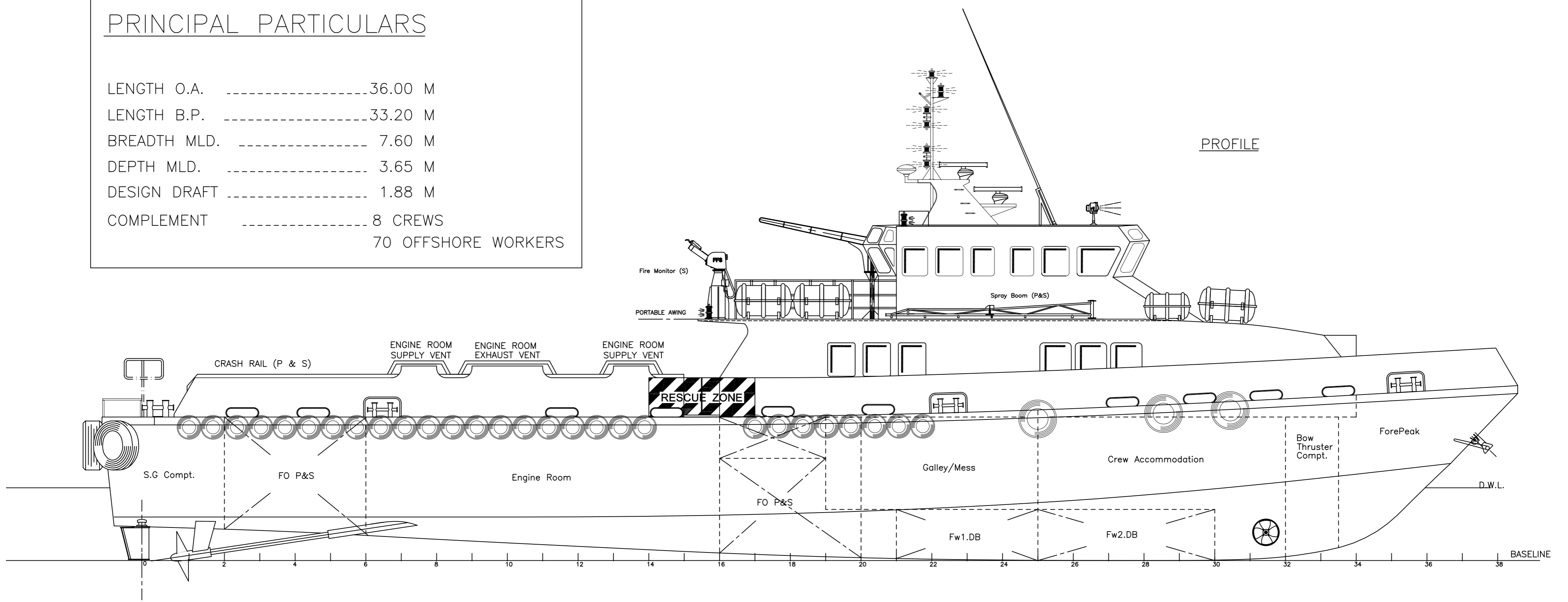
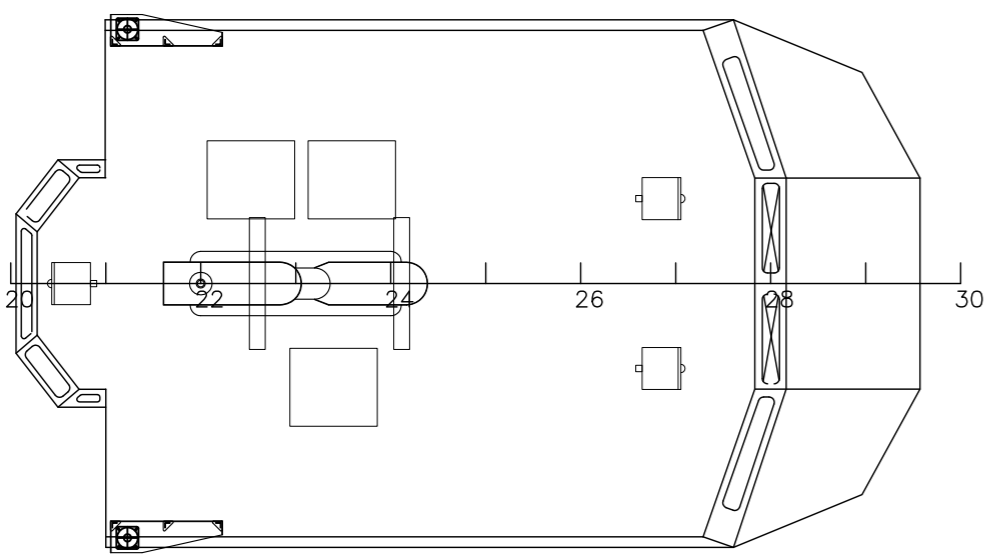


PRINCIPAL PARTICULARS

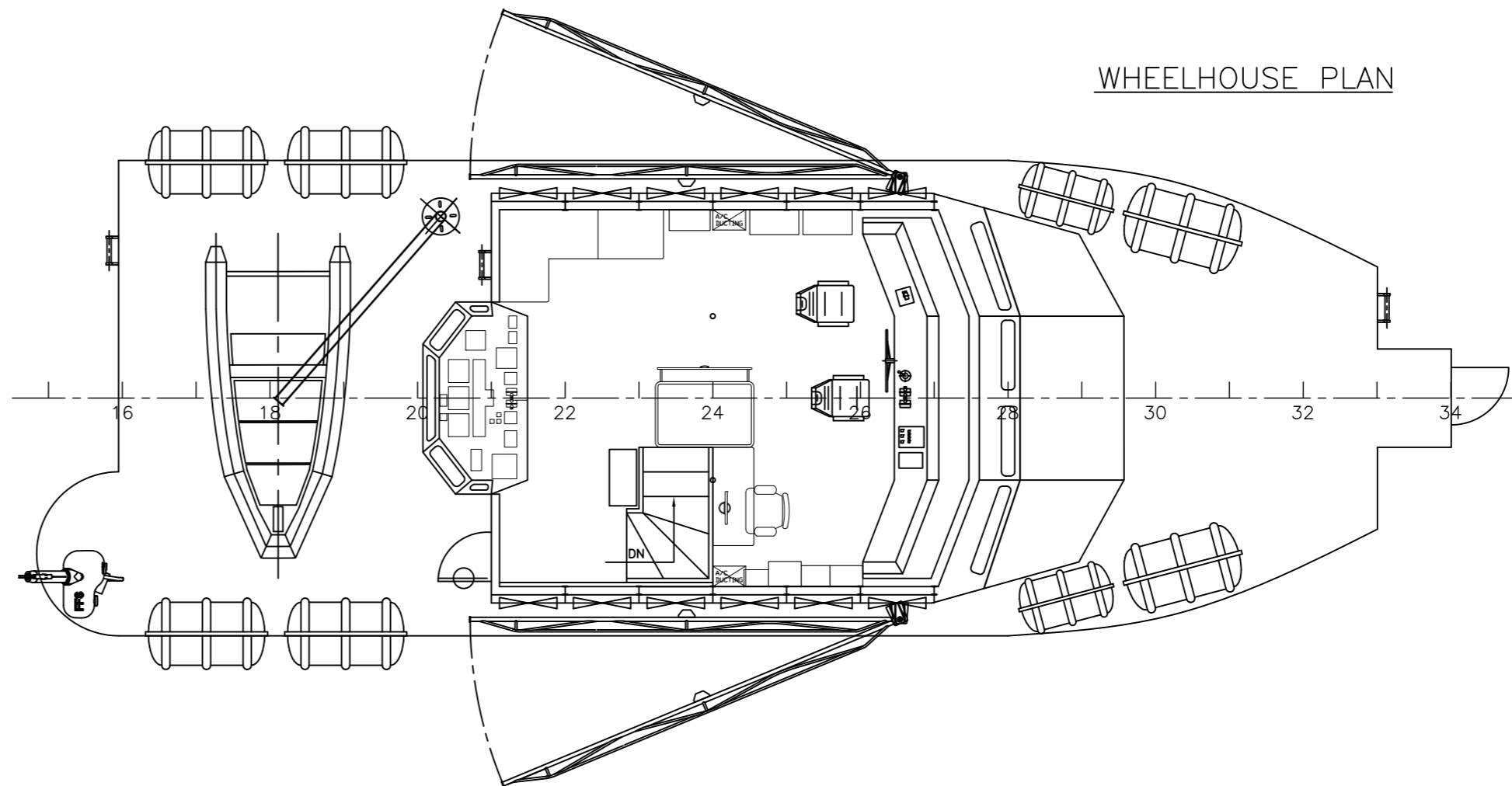
LENGTH O.A. ----- 36.00 M
 LENGTH B.P. ----- 33.20 M
 BREADTH MLD. ----- 7.60 M
 DEPTH MLD. ----- 3.65 M
 DESIGN DRAFT ----- 1.88 M
 COMPLEMENT ----- 8 CREWS
 70 OFFSHORE WORKERS



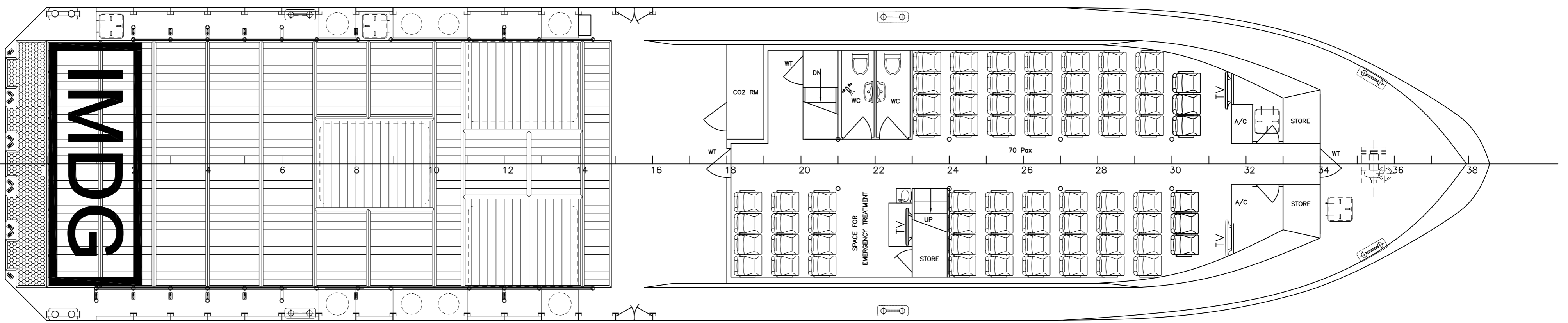
WHEELHOUSE TOP



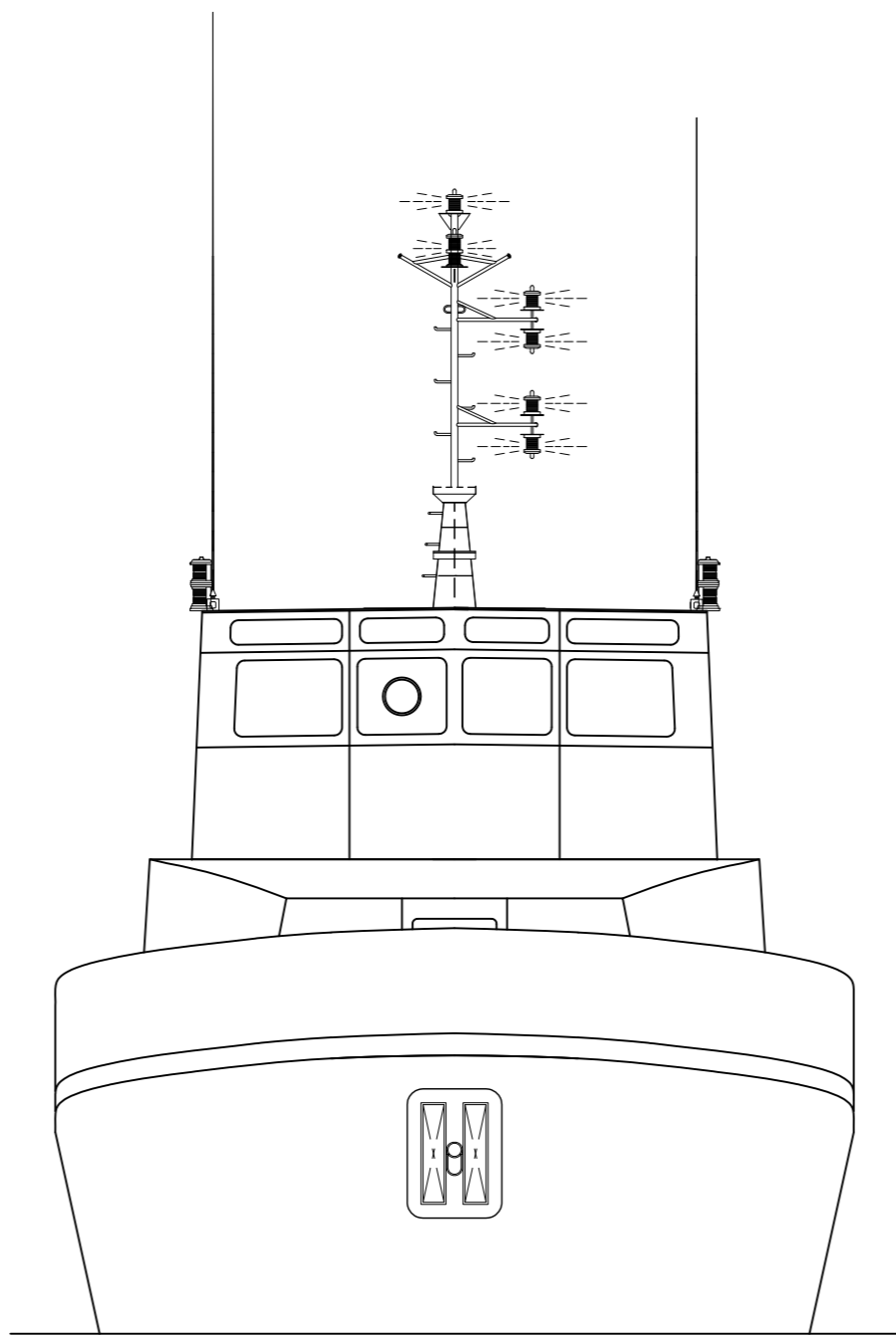
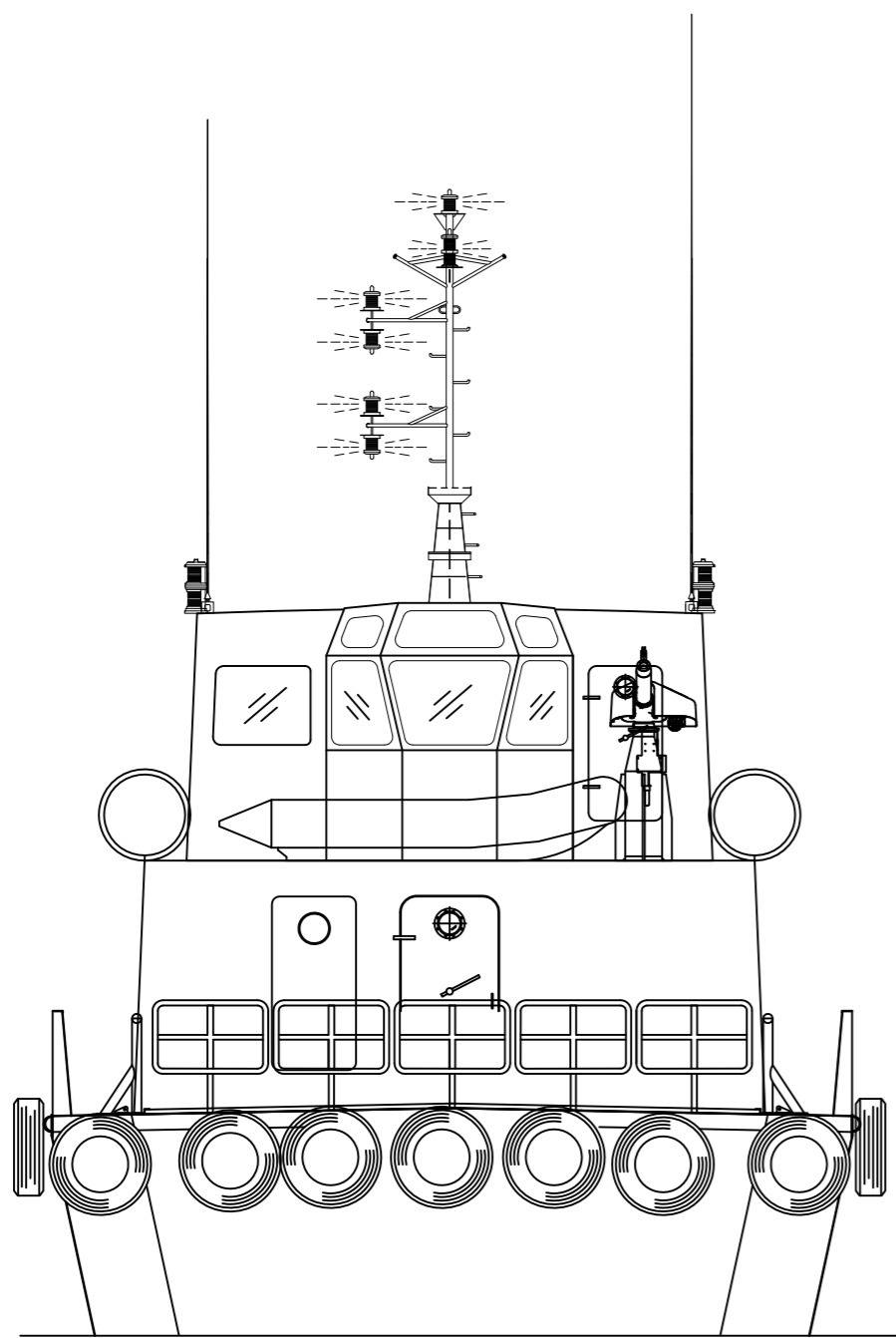
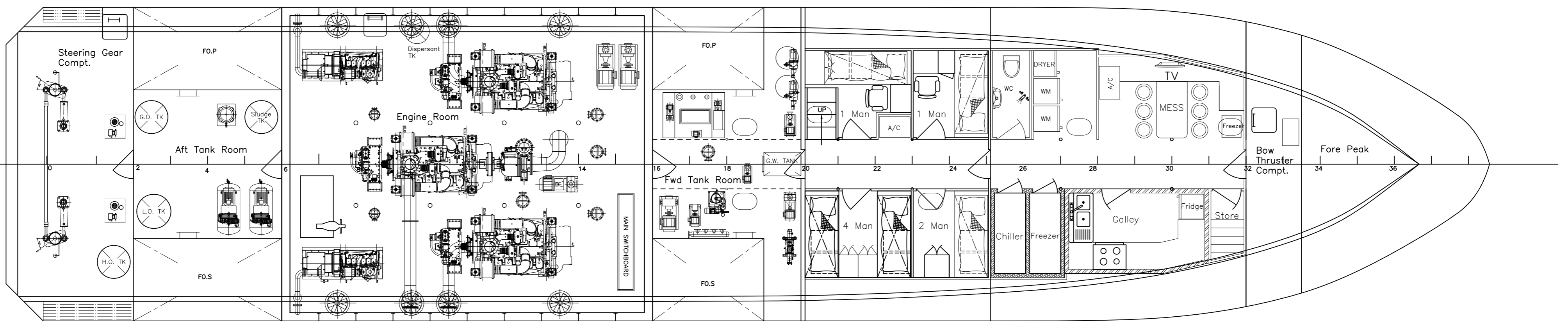
WHEELHOUSE PLAN



MAIN DECK



BELOW MAIN DECK



B	Rearrange Galley/Mess Room & Crew Accommodation	20, APR, 2011	ZH	Owner Request	
Rev	Modification	Date	Done	Remark	
PROJECT:	Flex-36 (H171)				
TITLE:	GENERAL ARRANGEMENT				
PENGUIN SHIPYARD INTERNATIONAL PTE LTD 18 Tuas Basin Link, Singapore 638784 Tel: 68628322 Fax: 68622150 <small>This drawing and the information contained herein is supplied on the understanding that they are the exclusive property of Penguin Shipyard International Pte Ltd. They must not be used or reproduced in whole or in part, without permission in writing.</small>					
DRAWN:	ZH	DATE:	04, MAR, 2010	SCALE:	1:75 (A1)
CHECKED:	PATRICK	DATE:	04, MAR, 2010	REVISION:	B
DRAWING No.:	PBIL-H168-G-01			SHEET:	1 OF 1