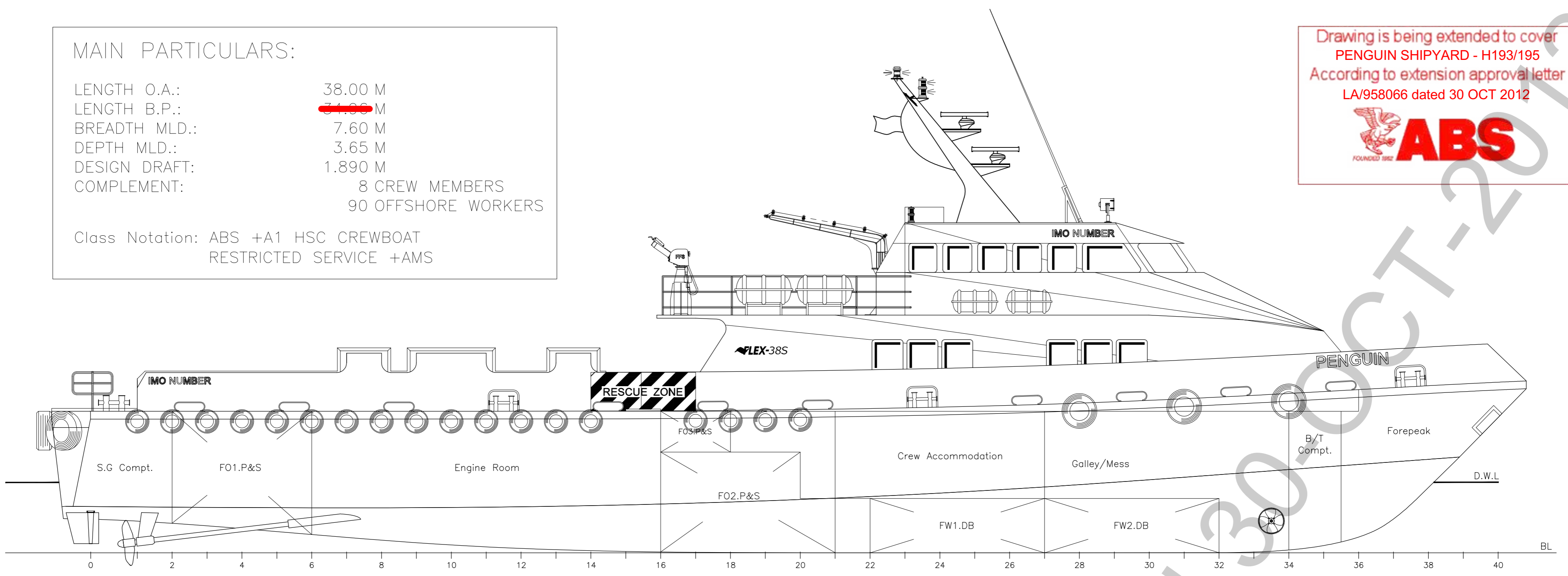


MAIN PARTICULARS:

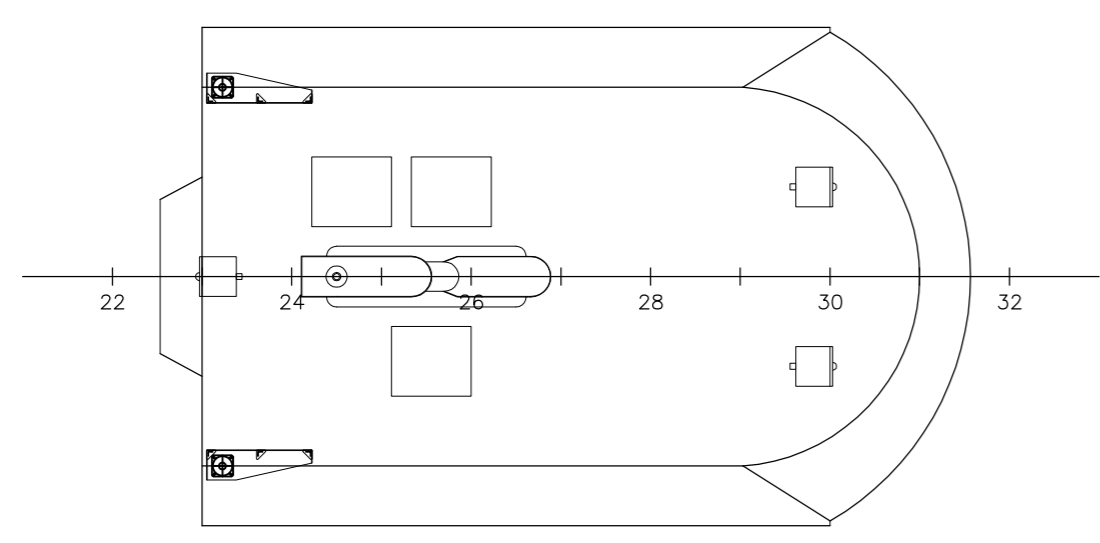
LENGTH O.A.: 38.00 M
 LENGTH B.P.: 31.00 M
 BREADTH MLD.: 7.60 M
 DEPTH MLD.: 3.65 M
 DESIGN DRAFT: 1.890 M
 COMPLEMENT: 8 CREW MEMBERS
 90 OFFSHORE WORKERS

Class Notation: ABS +A1 HSC CREWBOAT
 RESTRICTED SERVICE +AMS

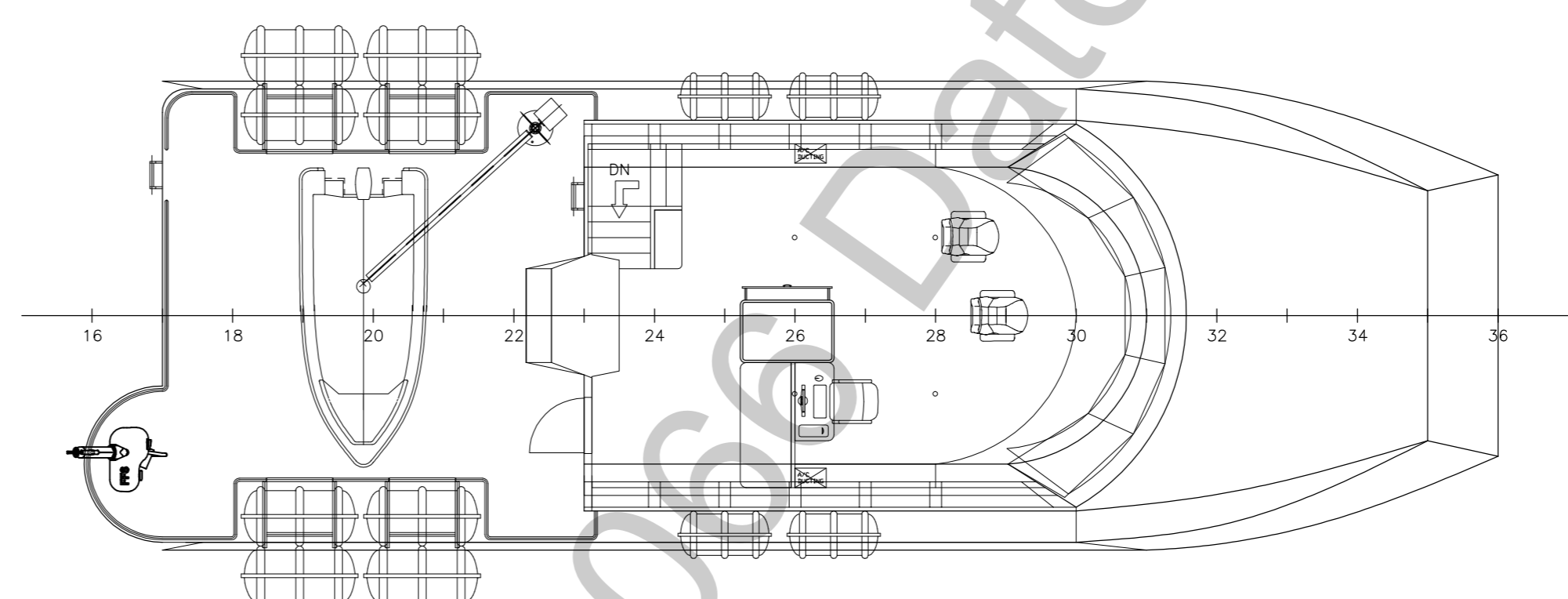
Drawing is being extended to cover
 PENGUIN SHIPYARD - H193/195
 According to extension approval letter
 LA/958066 dated 30 OCT 2012



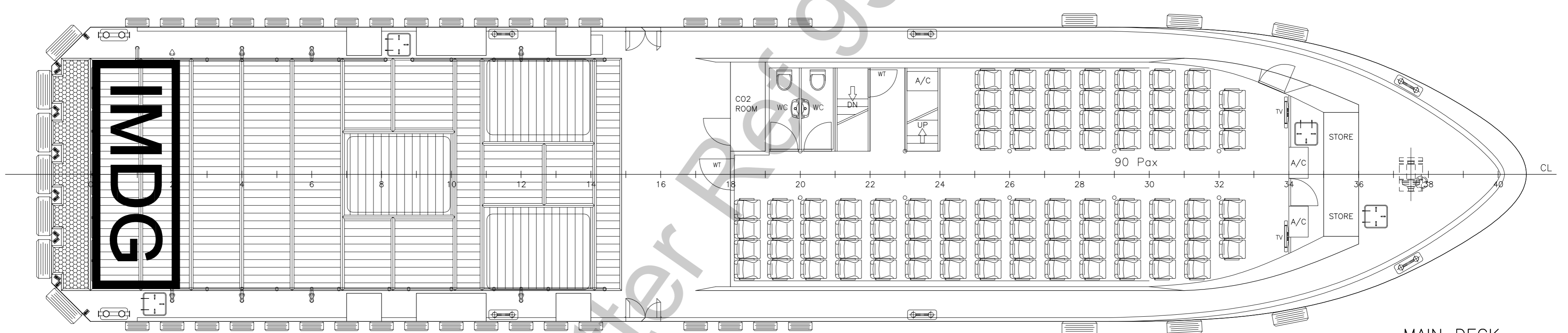
PROFILE



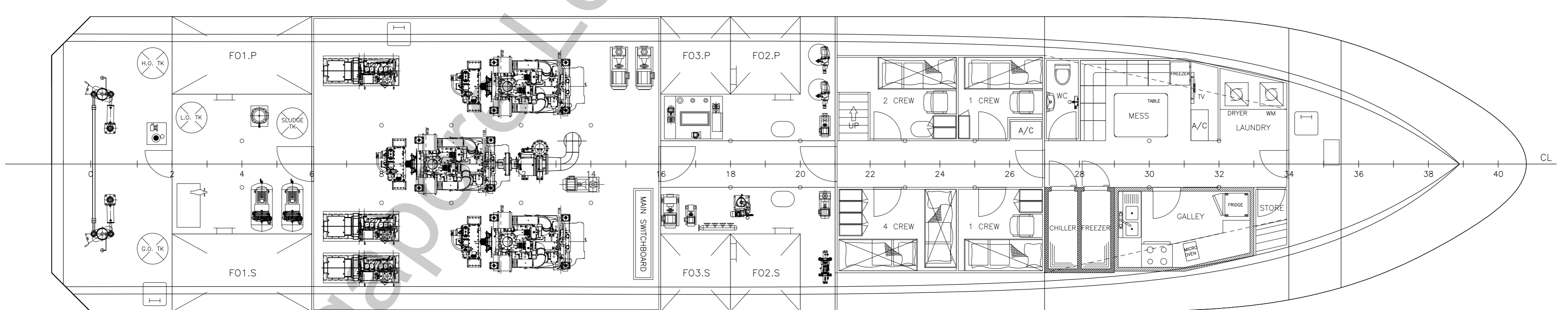
WHEELHOUSE TOP



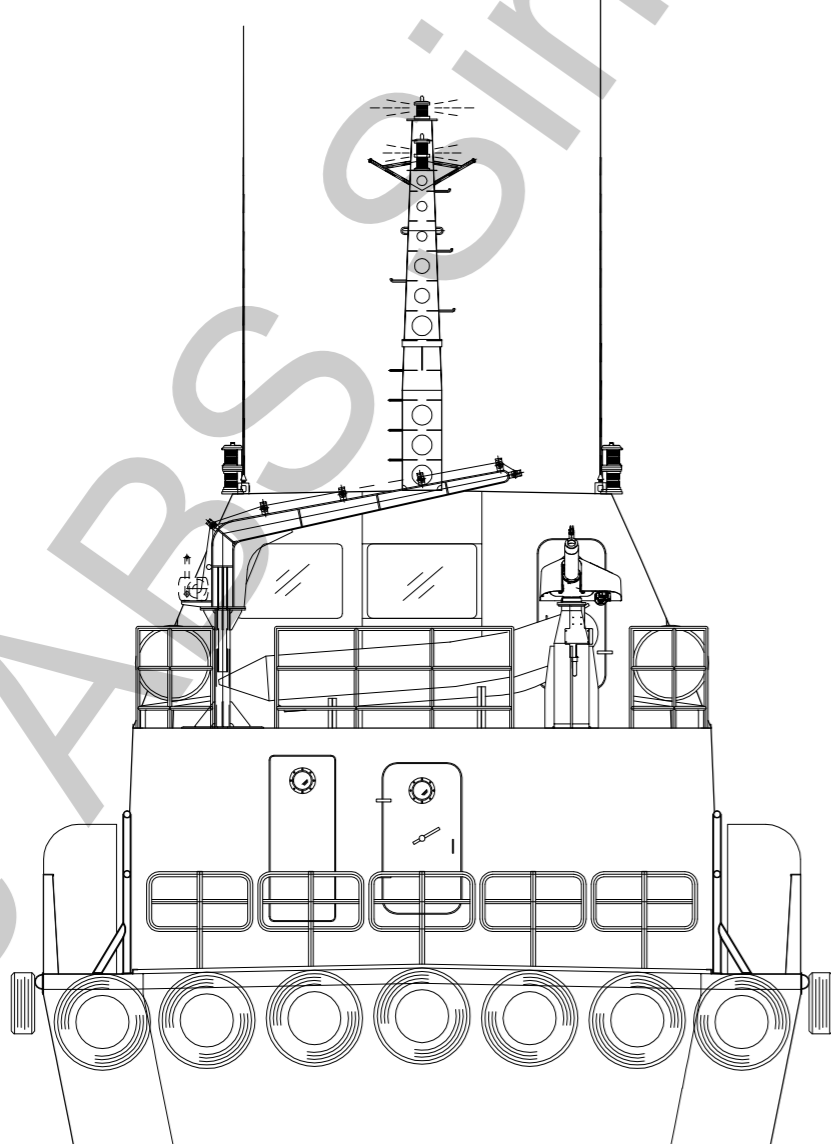
WHEELHOUSE PLAN



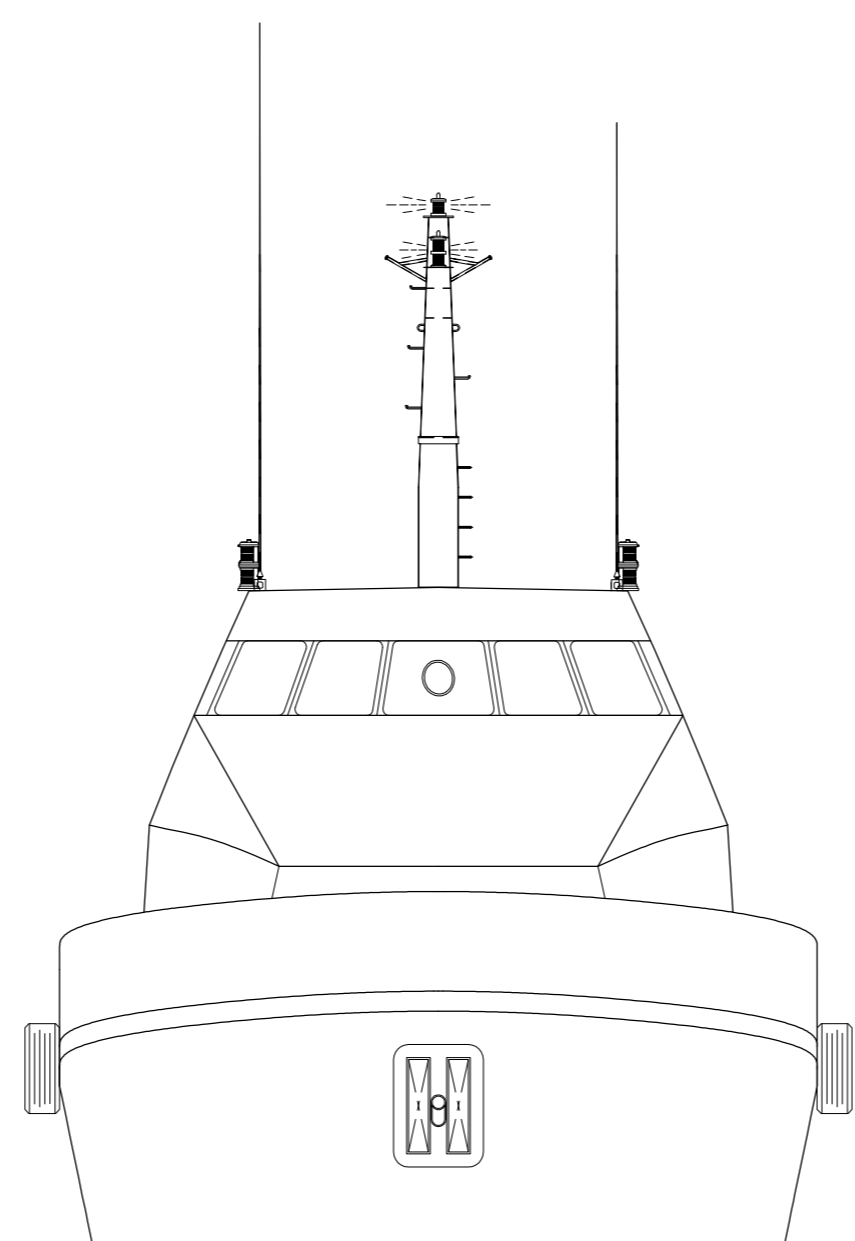
MAIN DECK



BELOW MAIN DECK



STERN VIEW



FRONT VIEW

- DOOR AT FR.34, BELOW MAIN DECK ,
 TO OPEN IN DIRECTION OF ESCAPE.
 - EFFICIENT MEANS OF DRAINAGE TO BE
 PROVIDED FOR DECKHOUSE AT MAIN DECK.

REVIEWED
 Details of this review
 are as indicated in the
 ABS Letter

PROJECT:	FLEX-38S(H187-188)		
TITLE:	GENERAL ARRANGEMENT		
PENGUIN SHIPYARD INTERNATIONAL PTE LTD 18 Tuas Basin Link, Singapore 638784 Tel: 68628322 Fax: 68622150			
This drawing and the information contained herein is supplied on the understanding that they are the exclusive property of Penguin Shipyards International Pte Ltd. They must not be used or reproduced in whole or in part, without permission in writing.			
DRAWN:	ZH	DATE:	01,AUG,2011
CHECKED:	PATRICK	DATE:	08,AUG,2011
APPROVED:	PATRICK	DATE:	20,AUG,2011
DRAWING No.:	PSI-H191-G-01	REVISION:	A
		SIZE:	A1
		SCALE:	1:75
		SHEET:	1 OF 1