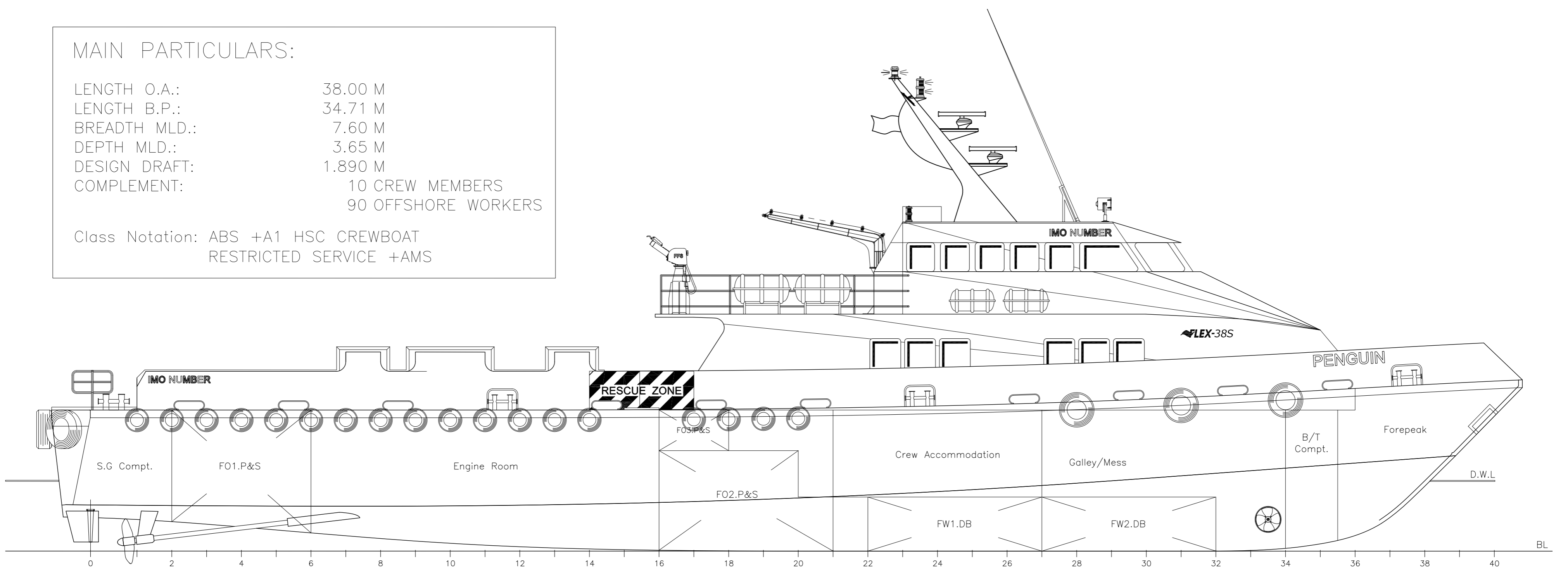


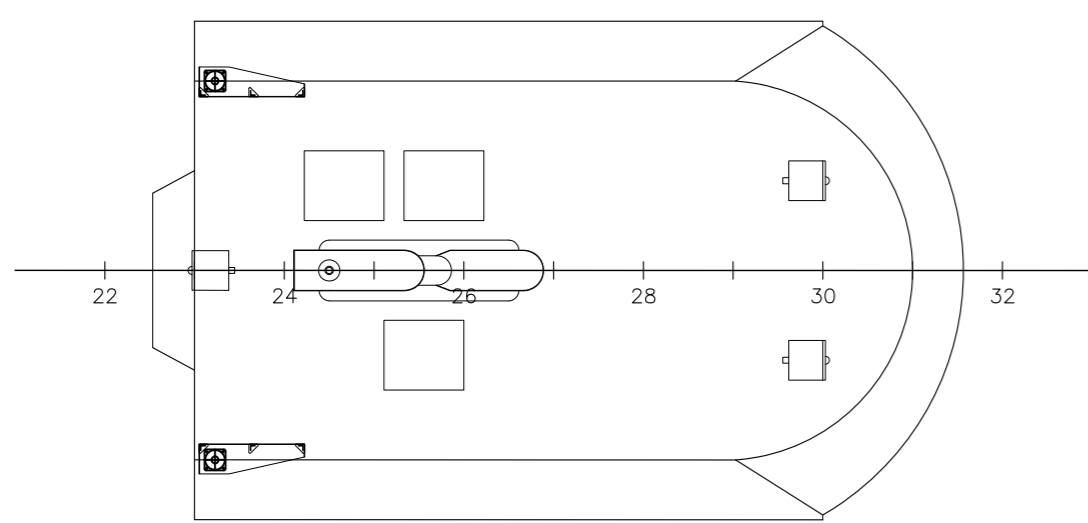
MAIN PARTICULARS:

LENGTH O.A.: 38.00 M  
 LENGTH B.P.: 34.71 M  
 BREADTH MLD.: 7.60 M  
 DEPTH MLD.: 3.65 M  
 DESIGN DRAFT: 1.890 M  
 COMPLEMENT: 10 CREW MEMBERS  
 90 OFFSHORE WORKERS

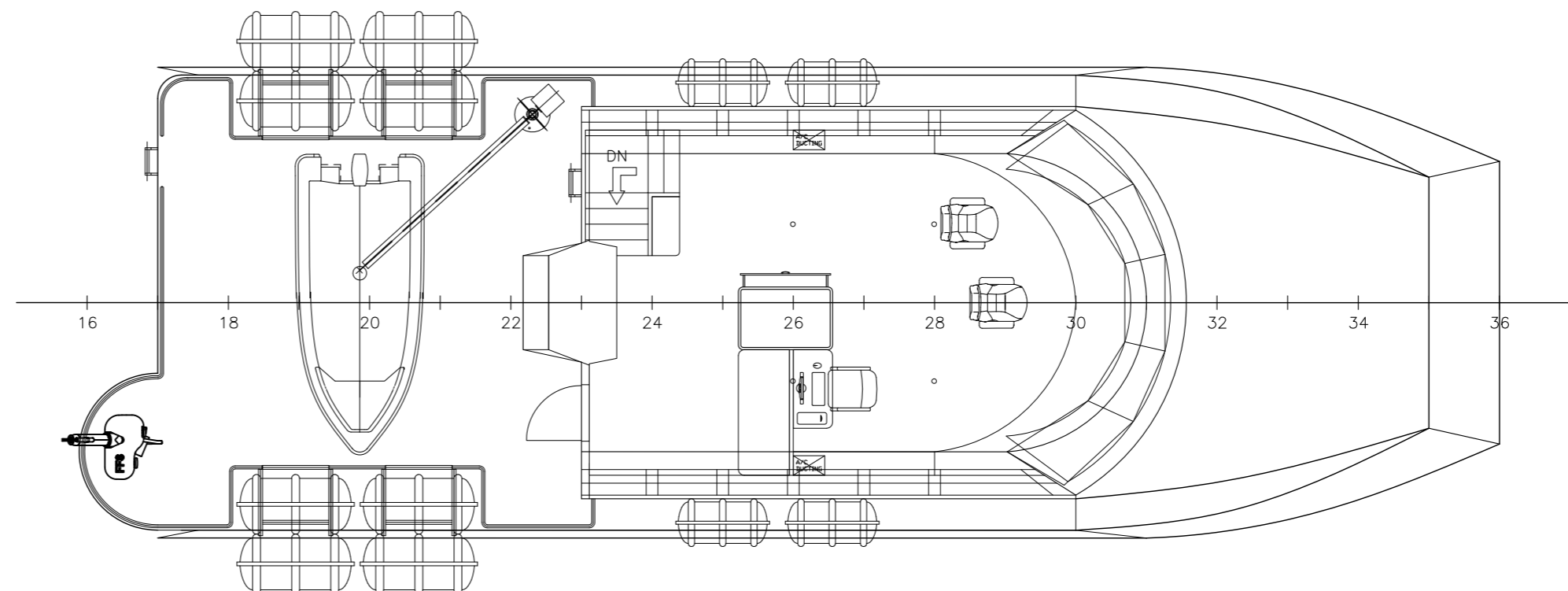
Class Notation: ABS +A1 HSC CREWBOAT  
 RESTRICTED SERVICE +AMS



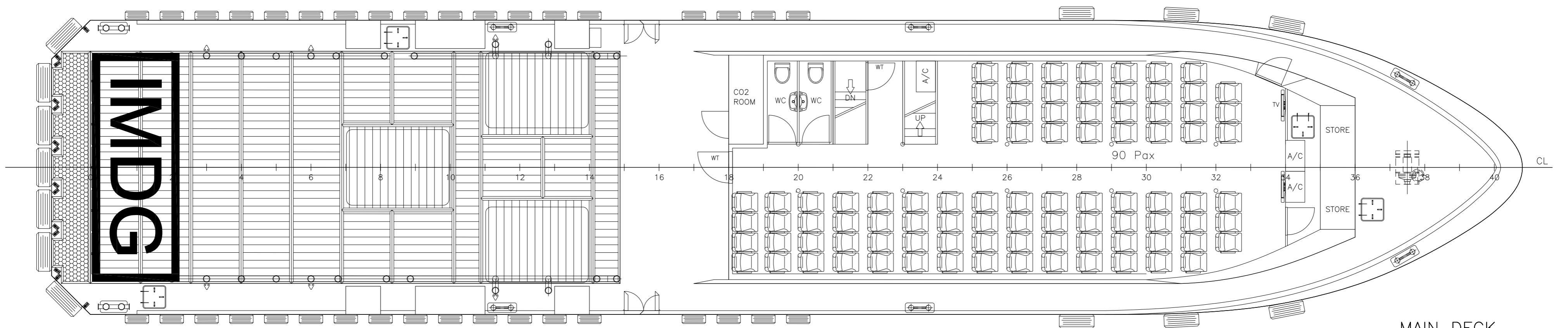
PROFILE



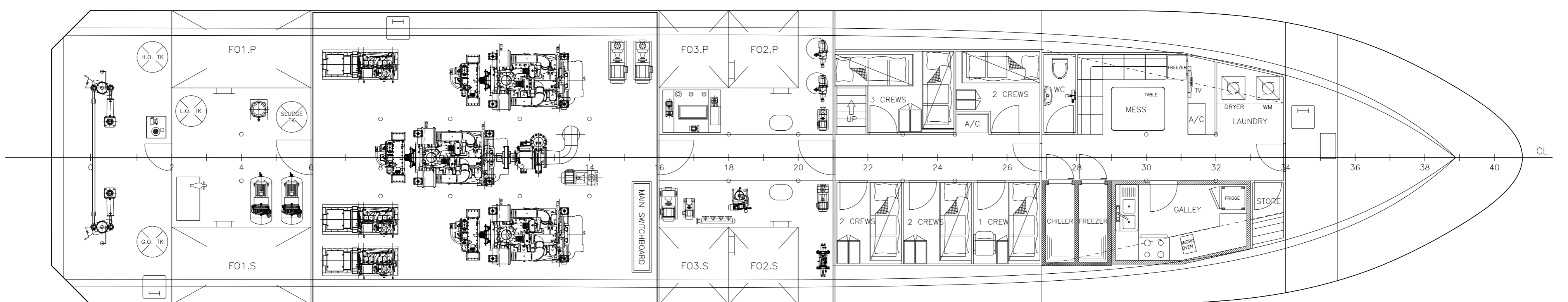
WHEELHOUSE TOP



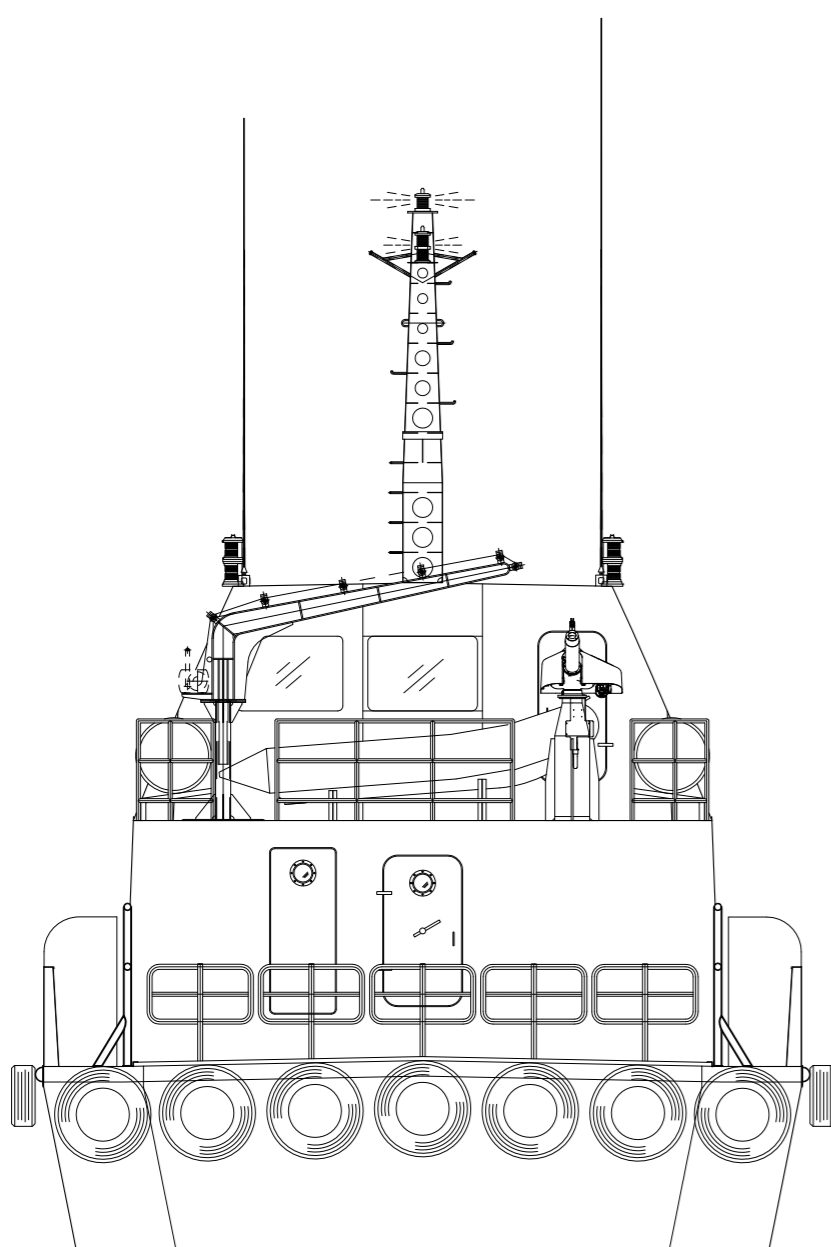
WHEELHOUSE PLAN



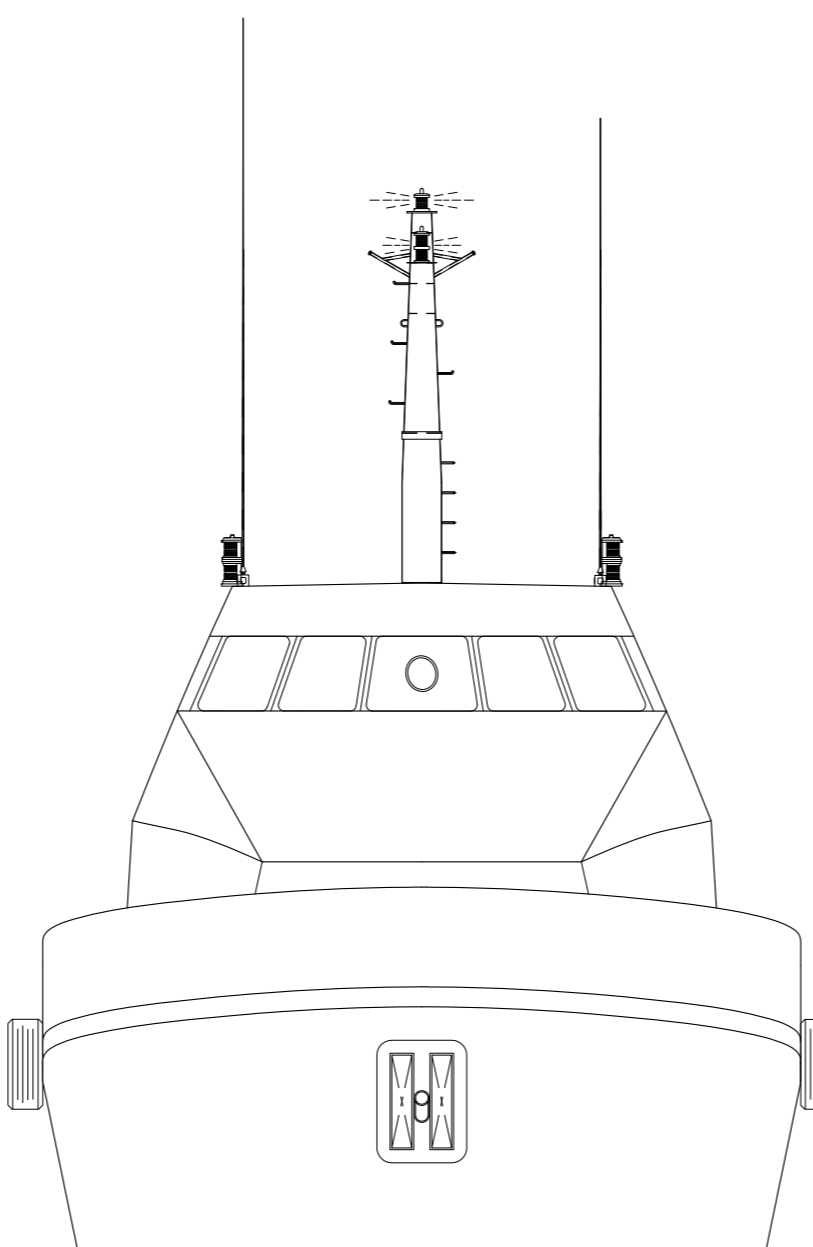
MAIN DECK



BELOW MAIN DECK



STERN VIEW



FRONT VIEW

PROJECT: FLEX-38S(H233)

TITLE: GENERAL ARRANGEMENT



**PENGUIN SHIPYARD INTERNATIONAL PTE LTD**

18 Tuas Basin Link, Singapore 638784 Tel: 68628322 Fax: 68622150

This drawing and the information contained herein is supplied on the understanding that they are the exclusive property of Penguin Shipyard International Pte Ltd. They must not be used or reproduced in whole or in part, without permission in writing.

DRAWN: JABIN DATE: 01,AUG,2013 SIZE: A1

CHECKED: THH DATE: 08,AUG,2013 SCALE: 1:75

APPROVED: STACY DATE: 20,AUG,2013 REVISION: A

DRAWING No.: PSI-H231-G-01 SHEET: 1 OF 1