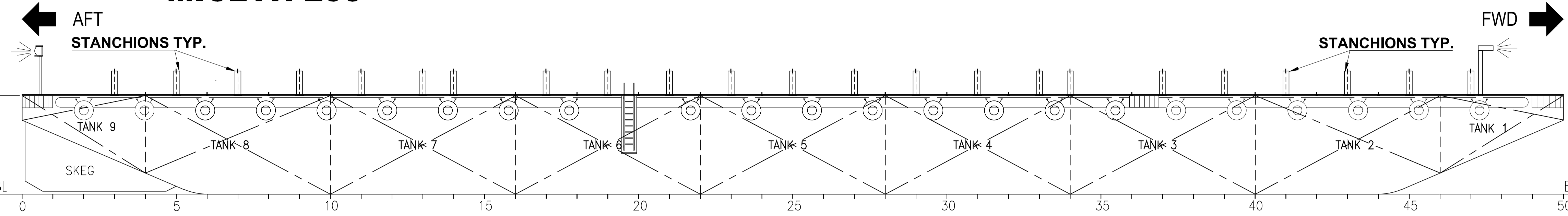
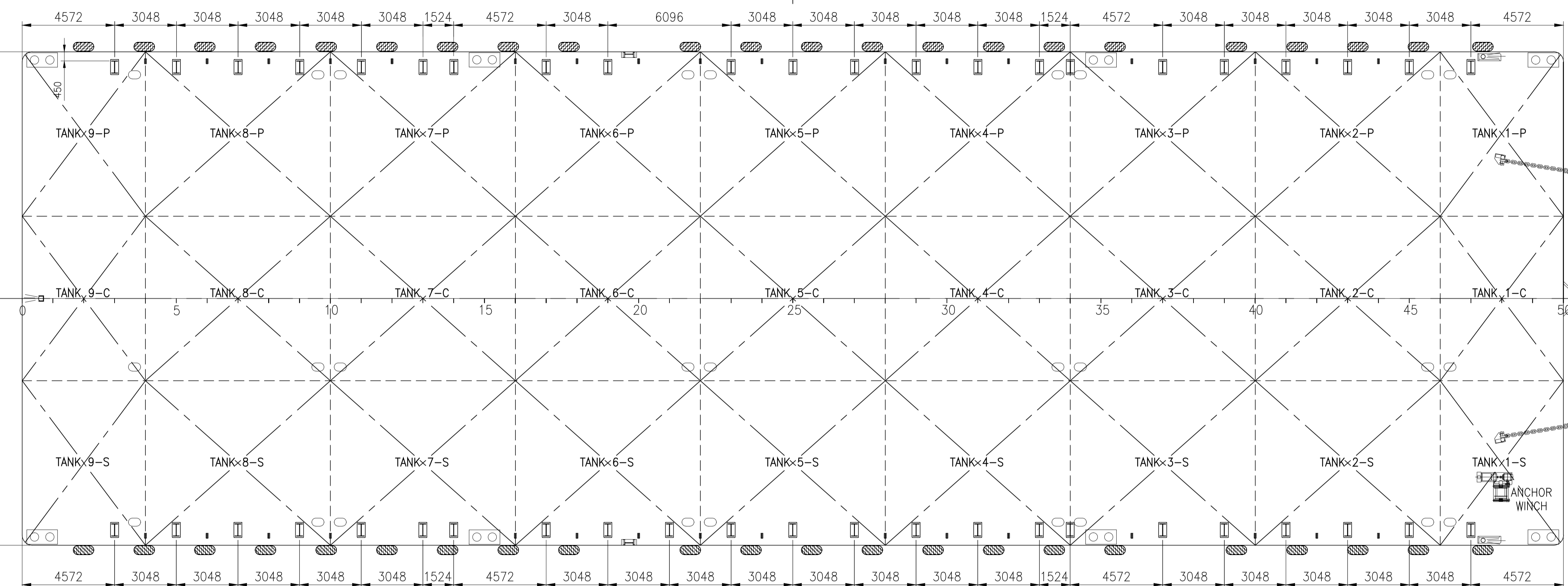


GENERAL ARRANGEMENT PLAN for " MICLYN 253 "

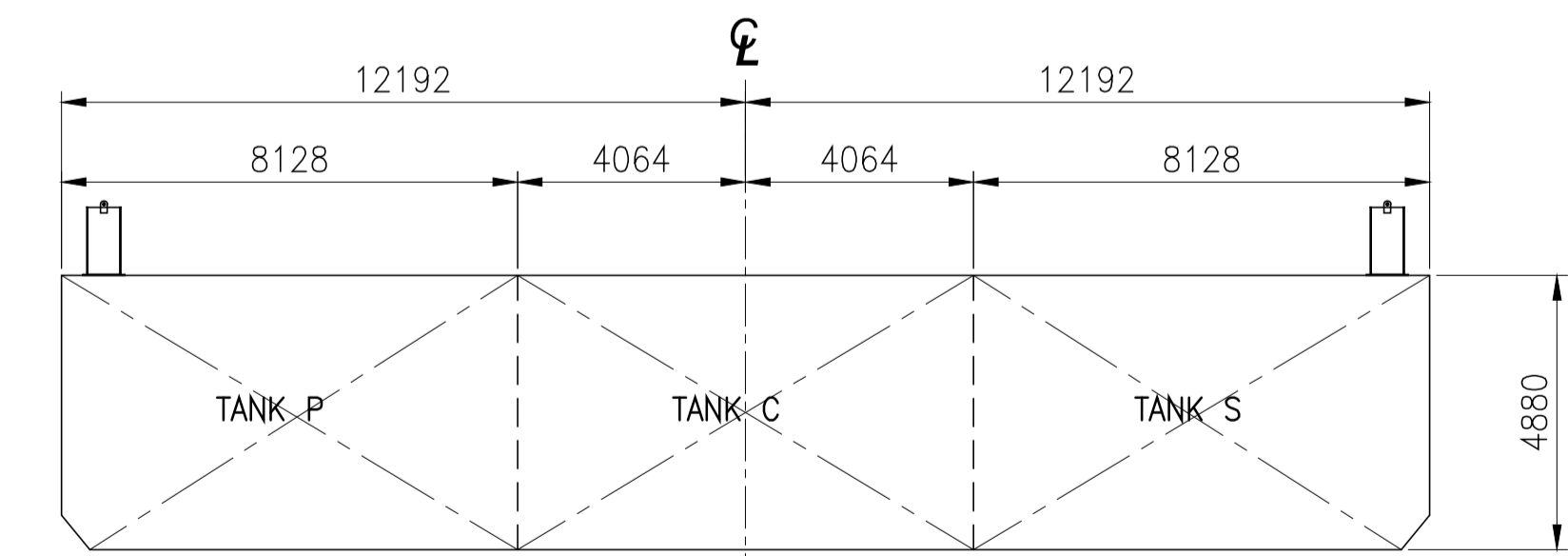


PROFILE VIEW
SCALE/ N.T.S (STBD SHOWN)

FRAME SPACING 1524 MM ALL THROUGHOUT



MAIN DECK PLAN
SCALE/ N.T.S



MIDSHIP SECTION
LKG. FWD / N.T.S

PRINCIPAL PARTICULARS

- LENGTH OVERALL - 76.20 M. (250'-00")
- BREADTH MLD. - 24.38 M. (80'-00")
- DEPTH MLD. - 4.88 M. (16'-00")
- DRAFT MLD. - 4.00 M. (13'-01")
- DECK LOAD - 15.00 TON/M2
- CLASS NOTATION: ABS + A1 TANK BARGE

NOTE :
1. ALL DIMENSIONS ARE IN MM UNLESS INDICATED OTHERWISE.
2. REFER TO " EXTERNAL TYP. STANCHION DETAIL (AS FITTED)".
BY E.O.S - MIDDLE EAST, U.A.E

DRAWING NO	REV	DRAWING TITLE	REV	DATE	DESCRIPTION	ORIGINATOR	REVIEWER	APPROVER	CLIENT
			1	07-12-15	UPDATED AS PER CURRENT STANCHIONS/ DECK PAD EYES	JB	RS	CT	-
			0	13-01-13	ISSUED FOR REFERENCE & RECORD ONLY	JB	RS	CT	-

CONTRACT NO.	CONTRACT TITLE
-	Marine Transportation of Offshore Pipe Lines
DRAWN	TITLE
JB	GENERAL ARRANGEMENT PLAN BARGE - MICLYN 253
DFT. CHECKED	ENGINEER
RS	CT
APPROVED	DATE
CT	13-01-13
SCALE [A3 SIZE]	DATE

EOS
EXPRESS OFFSHORE SOLUTIONS

3 HARBOURFRONT PLACE,
11-01/04 HARBOURFRONT TOWER 2,
SINGAPORE 099254
TEL: (65) 6545 6211
FAX: (65) 6275 6212

CONTRACT NO. : -	CONTRACT TITLE: Marine Transportation of Offshore Pipe Lines
DRAWN : JB	TITLE: GENERAL ARRANGEMENT PLAN BARGE - MICLYN 253
DFT. CHECKED : RS	ENGINEER : CT
APPROVED : CT	DATE: 13-01-13
SCALE [A3 SIZE] :	DATE :

EOS DWG. NO. EOS-ENGG-020 SH. 1 OF 1 REV. 1