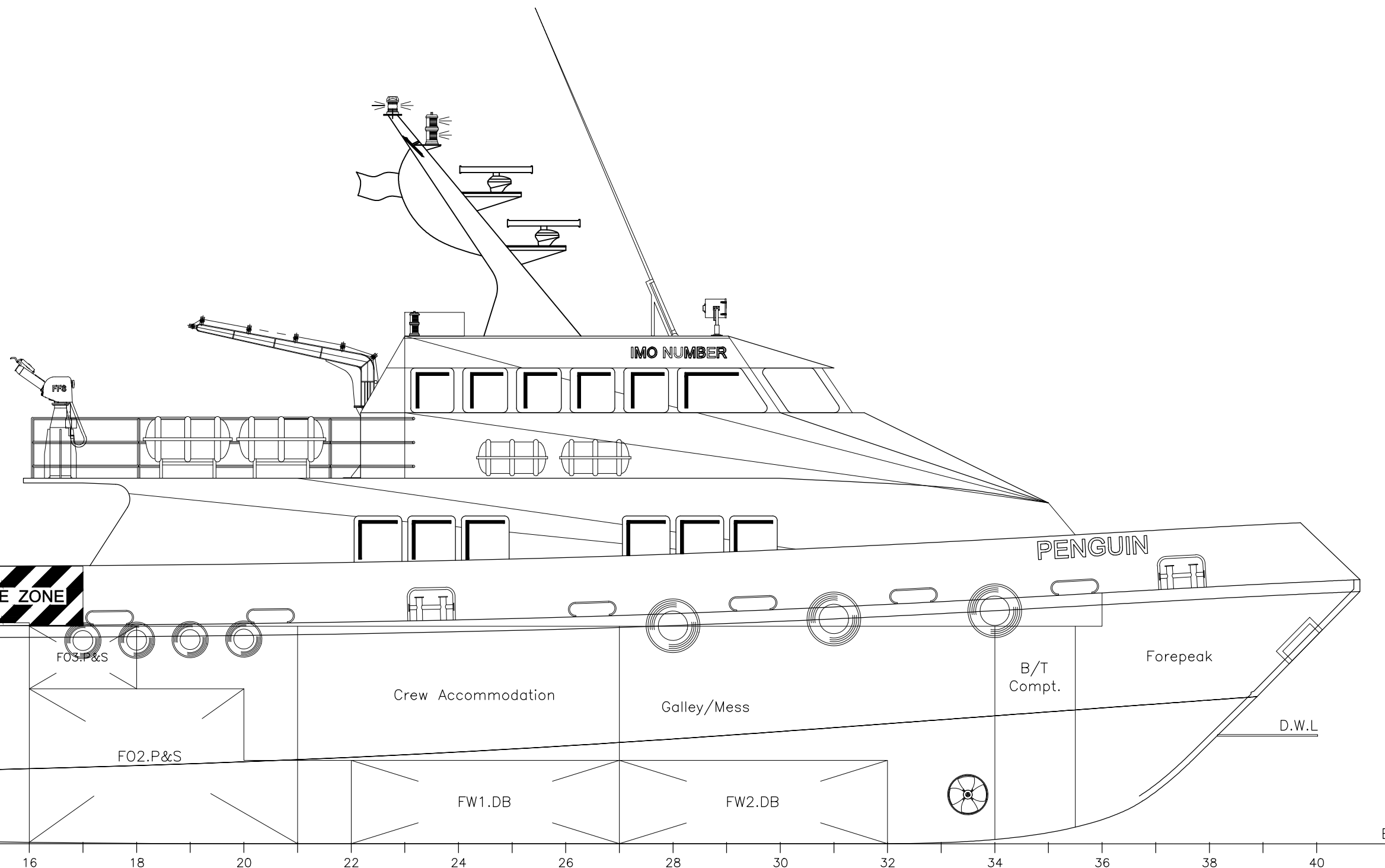


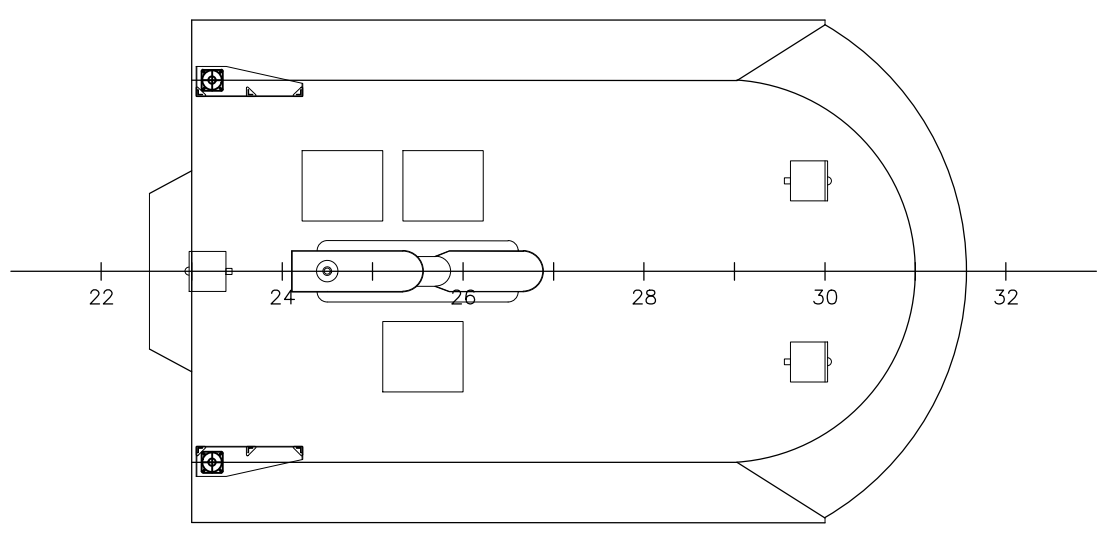
MAIN PARTICULARS:

LENGTH O.A.: 38.00 M
 LENGTH B.P.: 34.71 M
 BREADTH MLD.: 7.60 M
 DEPTH MLD.: 3.65 M
 DESIGN DRAFT: 1.890 M
 COMPLEMENT: 10 CREW MEMBERS
 90 OFFSHORE WORKERS

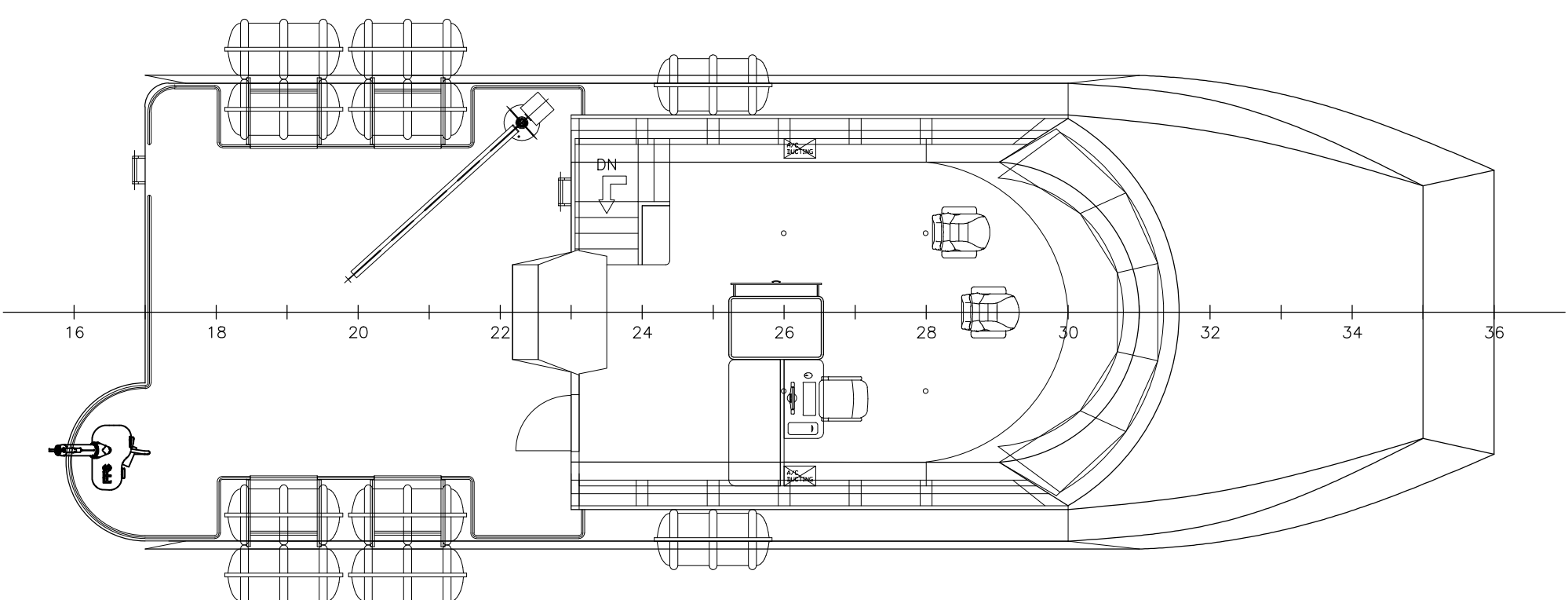
Class Notation: BV, I +HULL +MACH, CREWBOAT
 UNRESTRICTED NAVIGATION, Max. WAVE
 HEIGHT NOT EXCEEDING 3.0M



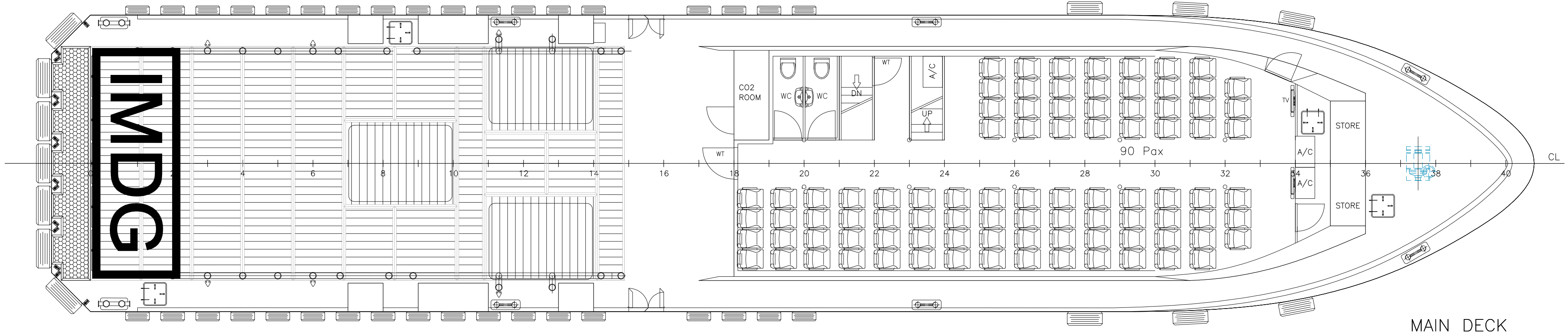
PROFILE



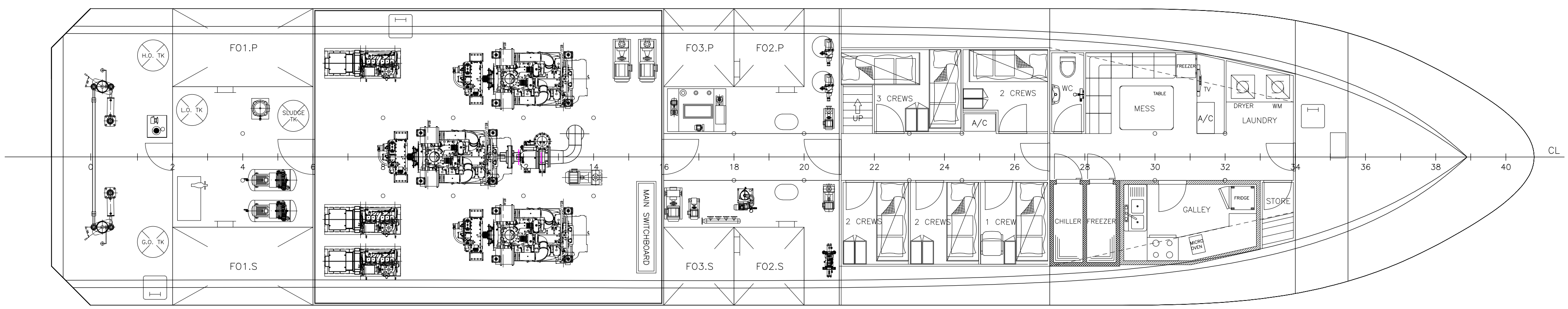
WHEELHOUSE TOP



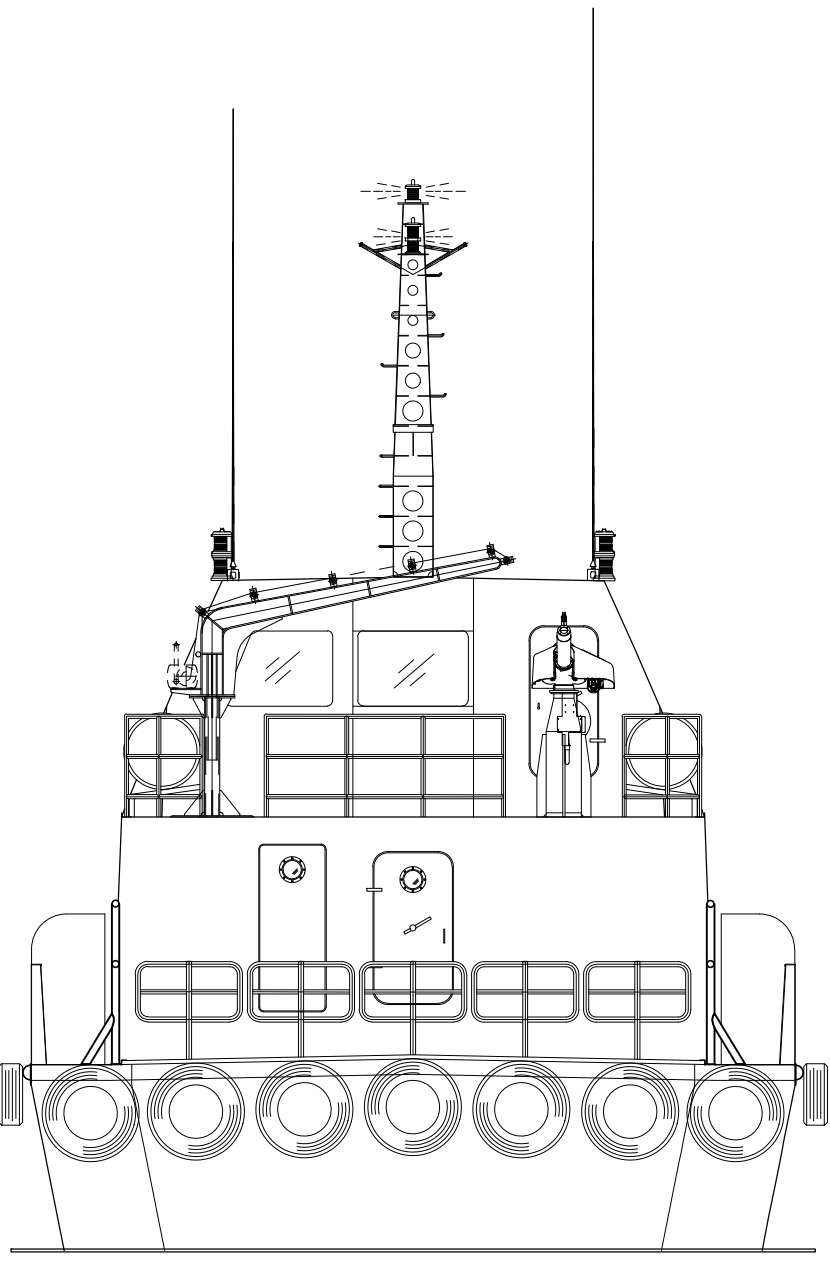
WHEELHOUSE PLAN



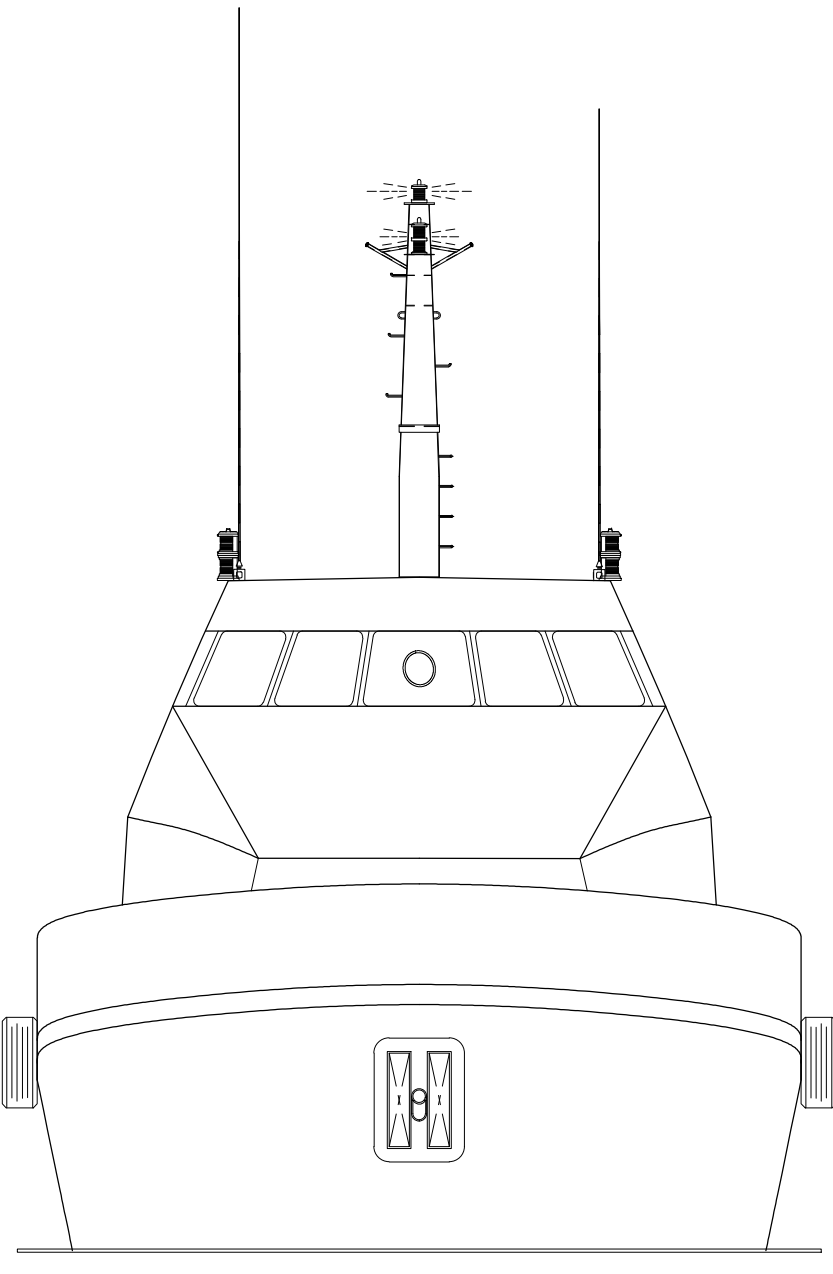
MAIN DECK



BELOW MAIN DECK



STERN VIEW



FRONT VIEW

ASBUILT DRAWING - OWNERS REQUEST	D	IJR	DCF	4-NOV-15
DESCRIPTION	REV	DRN BY	CHK BY	DATE
CLIENT:				
MICLYN EXPRESS OFFSHORE				
TITLE :		GENERAL ARRANGEMENT PLAN		
SHIP NAME :		Express 77		
CONTRACT NO.:	DRAWING NO.:		MEO-EXP77-GAP-001	
DRAWN:	IJR	REV. NO.:	C	SCALE: 1:80
CHECKED:	DCF	SHEET NO.:	1 OF 1	SIZE: A1
APPROVED:	ERIK TING	DATE:	29 SEPTEMBER 2015	



Main Office (Singapore) :
 No.3 Harbour Front Place, #11 -01/04 Harbour Front Tower 2
 Singapore 099254
 Tel: (65) 65456211 Fax: (65) 62756212

www.miclynexpressoffshore.com
 This document contains Confidential Proprietary information and shall not be Copied, Reproduced, Used, Transferred to other Documents or Disclosed to others for any purpose unless Authorized by MEO.