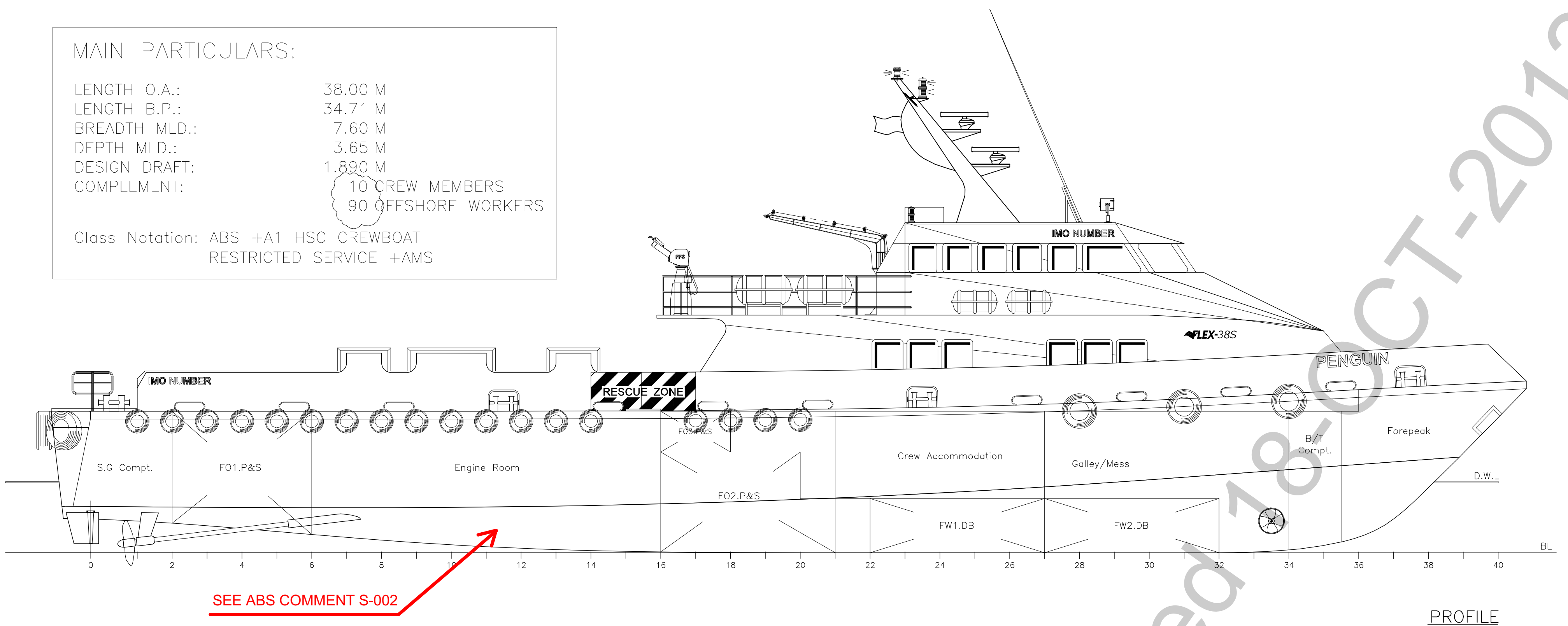


MAIN PARTICULARS:

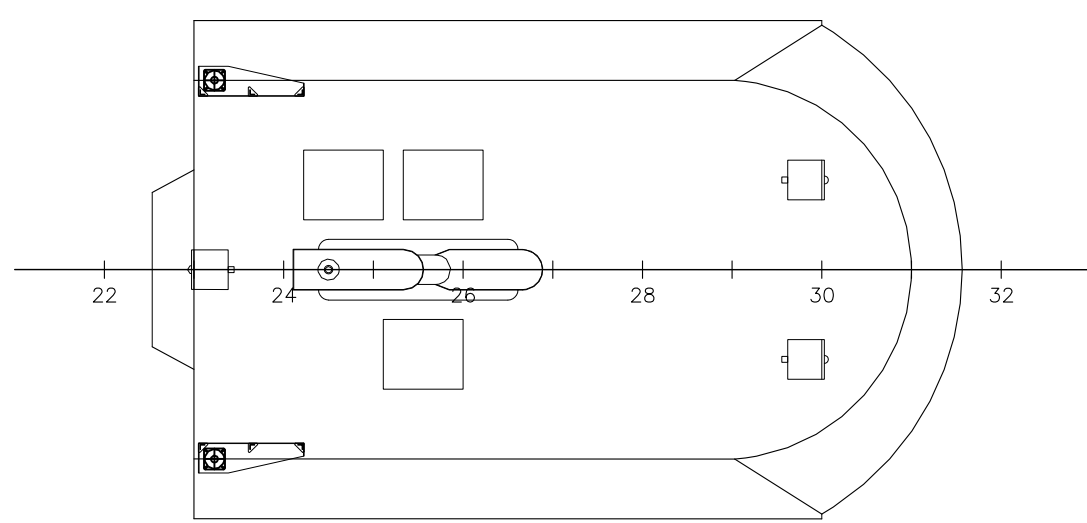
LENGTH O.A.: 38.00 M
 LENGTH B.P.: 34.71 M
 BREADTH MLD.: 7.60 M
 DEPTH MLD.: 3.65 M
 DESIGN DRAFT: 1.890 M
 COMPLEMENT: 10 CREW MEMBERS
 90 OFFSHORE WORKERS

Class Notation: ABS +A1 HSC CREWBOAT
 RESTRICTED SERVICE +AMS

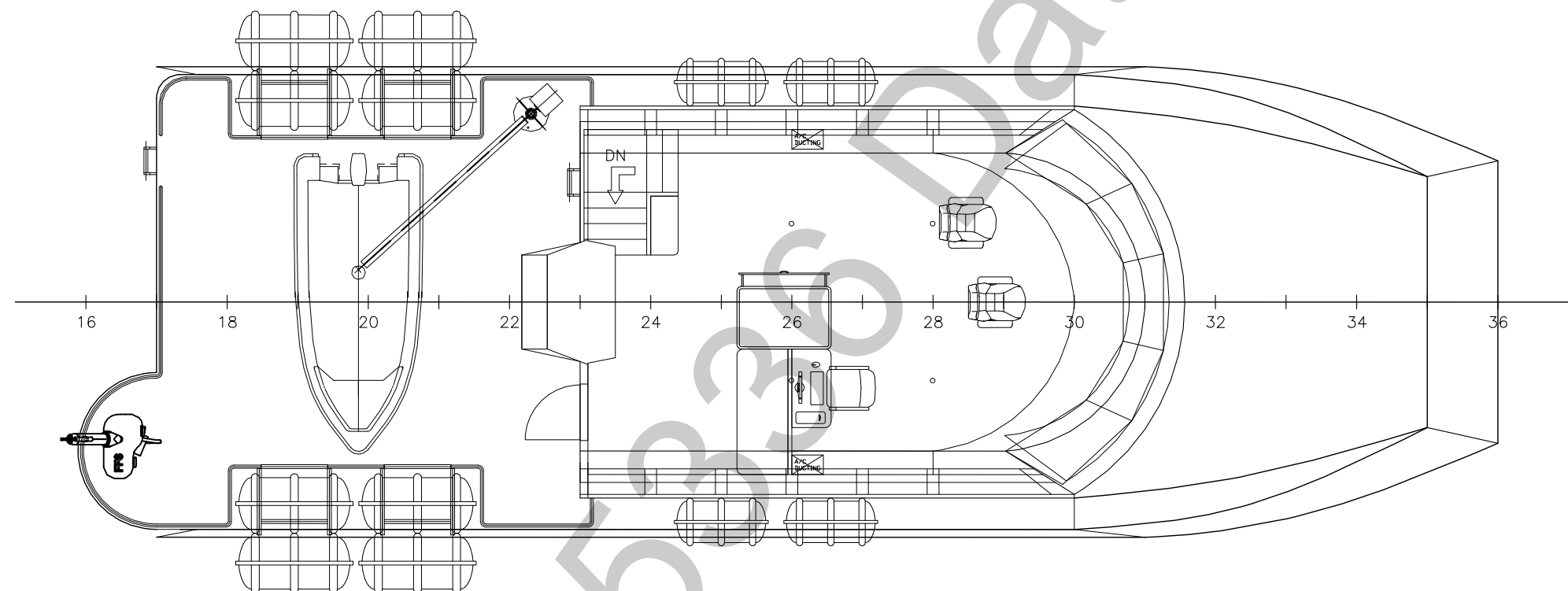


SEE ABS COMMENT S-002

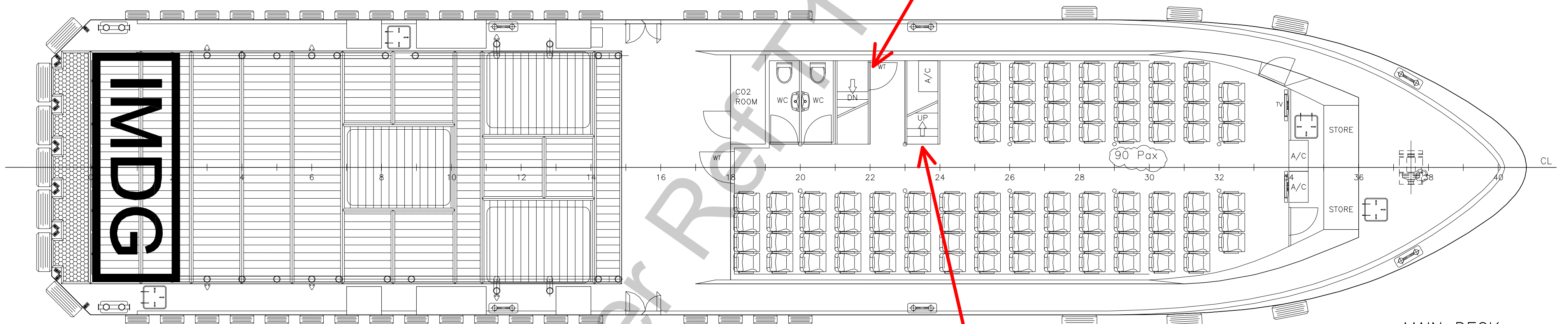
PROFILE



WHEELHOUSE TOP



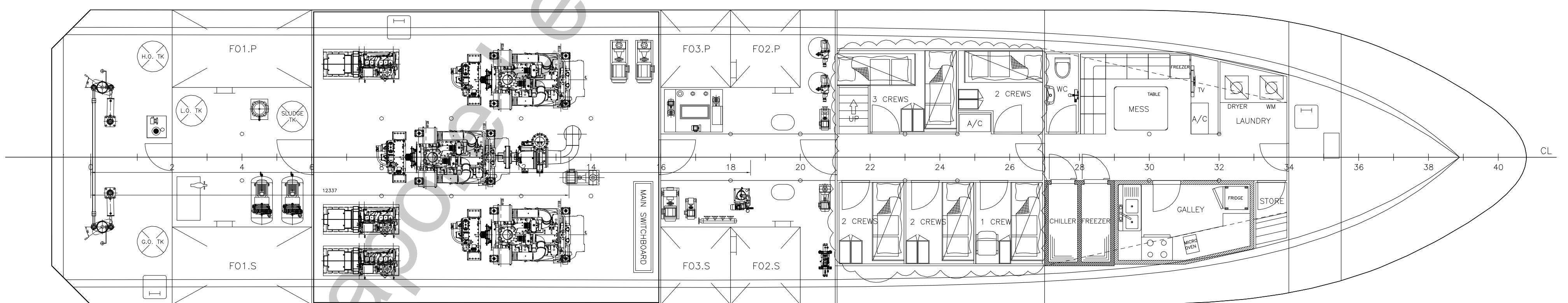
WHEELHOUSE PLAN



SEE ABS COMMENT S-003

SEE ABS COMMENT S-004

MAIN DECK



BELOW MAIN DECK

- DOOR AT FR.34, BELOW MAIN DECK, TO OPEN IN DIRECTION OF ESCAPE.
- EFFICIENT MEANS OF DRAINAGE TO BR PROVIDED FOR DECKHOUSE AT MAIN DECK.

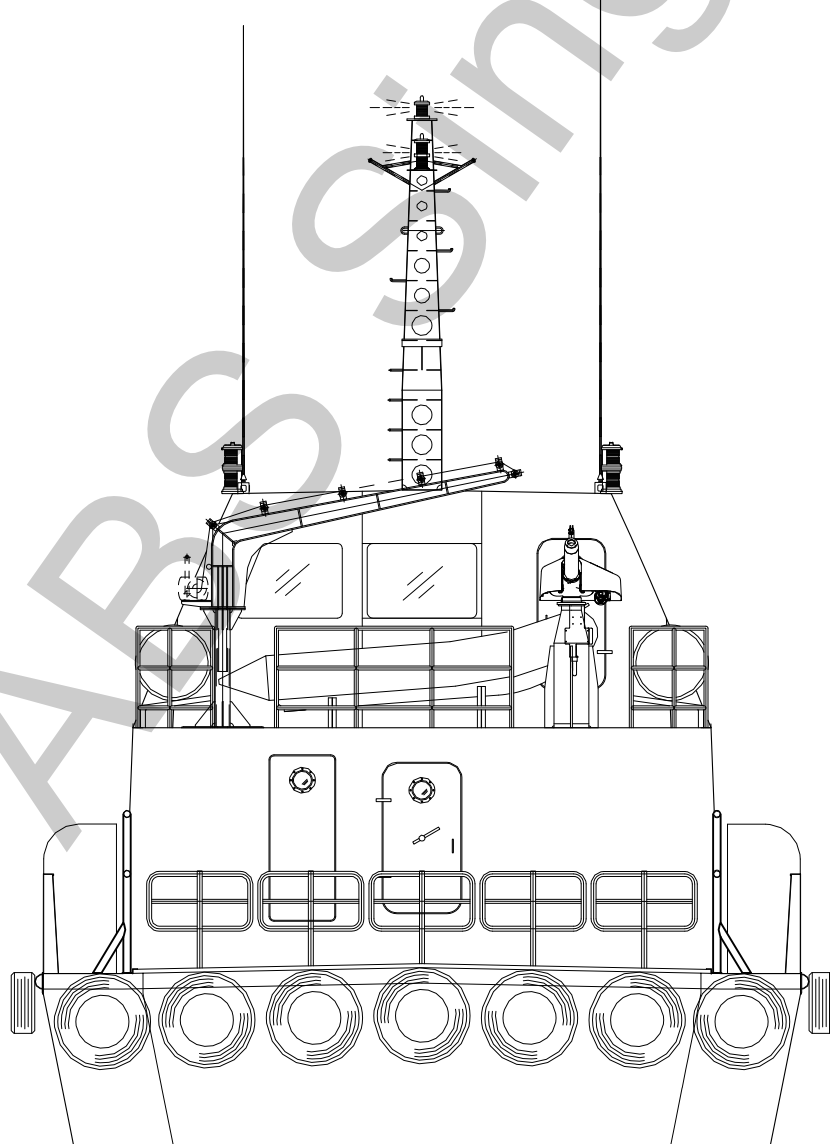
REVIEWED

Details of this review are as indicated in the ABS Letter

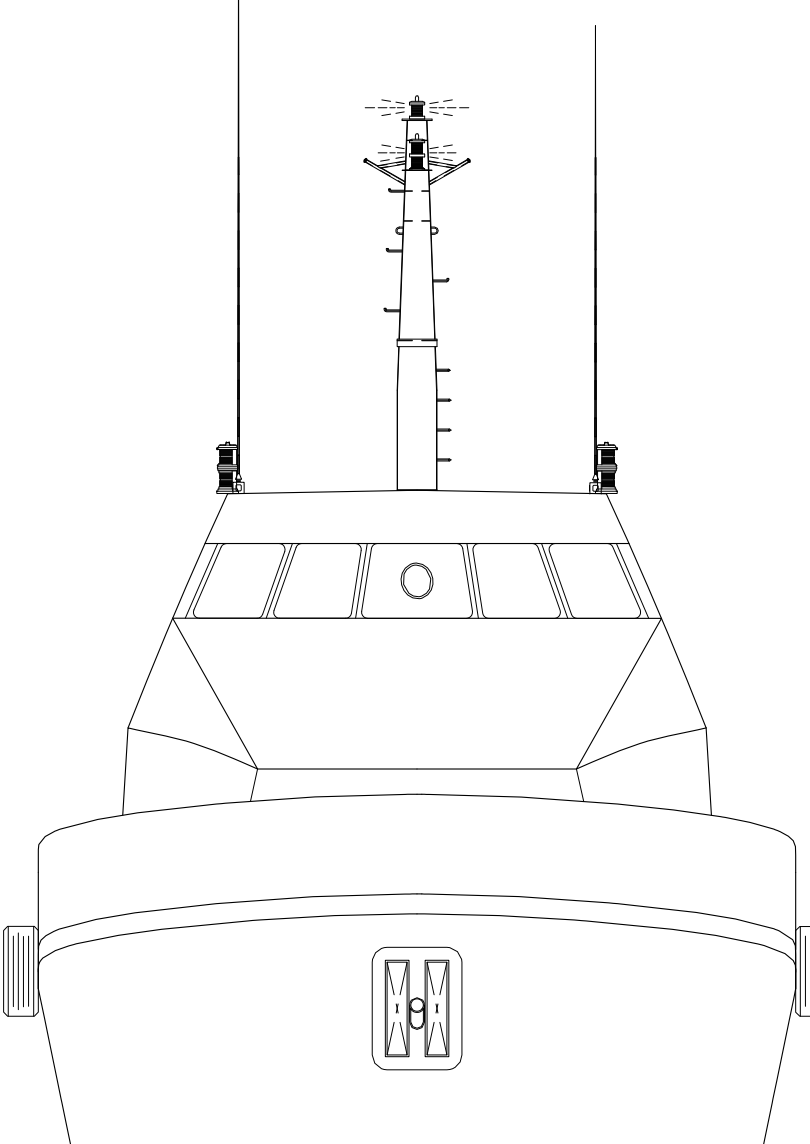


AS AMENDED on page: _____

SEE ABS LETTER FOR COMMENTS



STERN VIEW



FRONT VIEW

PROJECT:	FLEX-38S(H221-222)		
TITLE:	GENERAL ARRANGEMENT		
PENGUIN SHIPYARD INTERNATIONAL PTE LTD 18 Tuas Basin Link, Singapore 638784 Tel: 68628322 Fax: 68622150			
<small>This drawing and the information contained herein is supplied on the understanding that they are the exclusive property of Penguin Shipyards International Pte Ltd. They must not be used or reproduced in whole or in part, without permission in writing.</small>			
DRAWN:	ZH	DATE:	01,AUG,2011
CHECKED:	PATRICK	DATE:	08,AUG,2011
APPROVED:	PATRICK	DATE:	20,AUG,2011
DRAWING No.:	PSI-H191-G-01	REVISION:	A
			SHEET: 1 OF 1