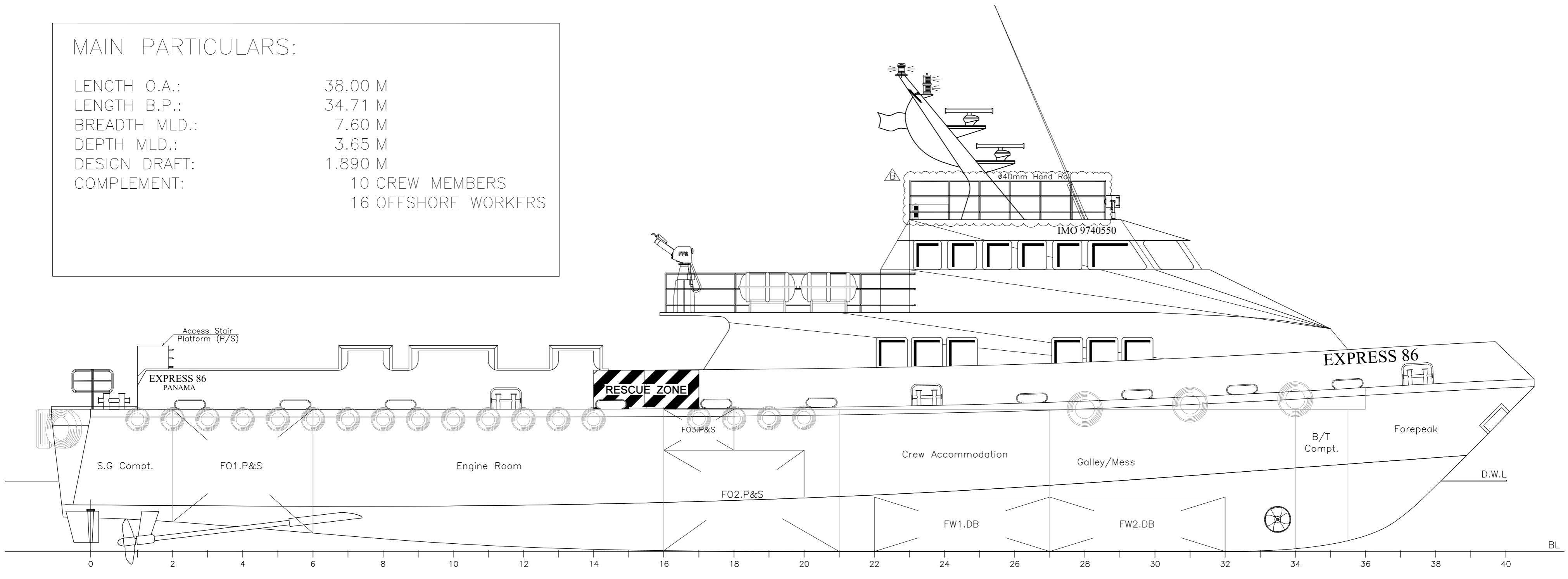
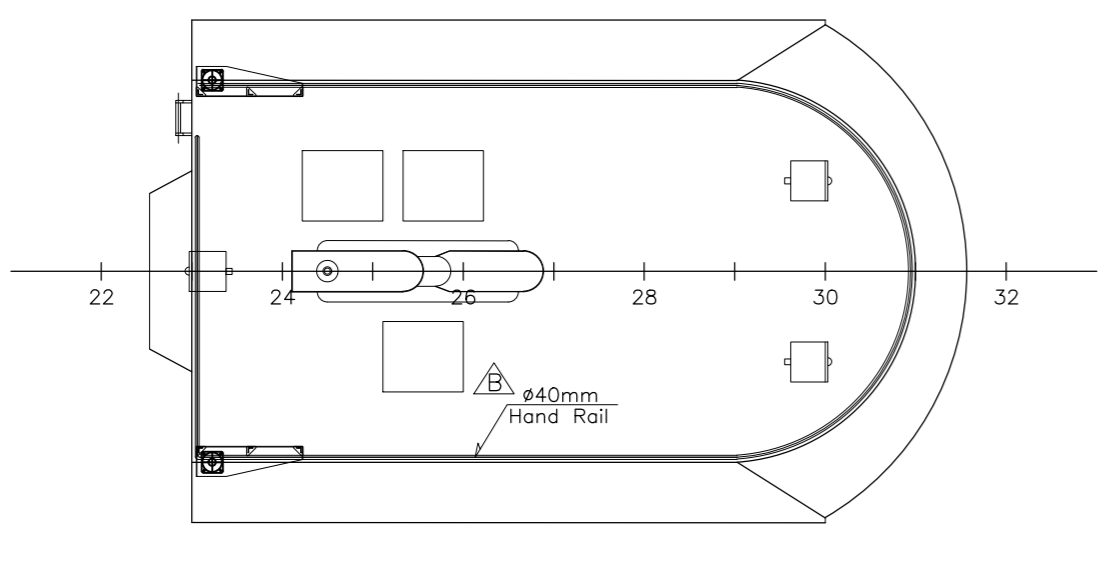


MAIN PARTICULARS:

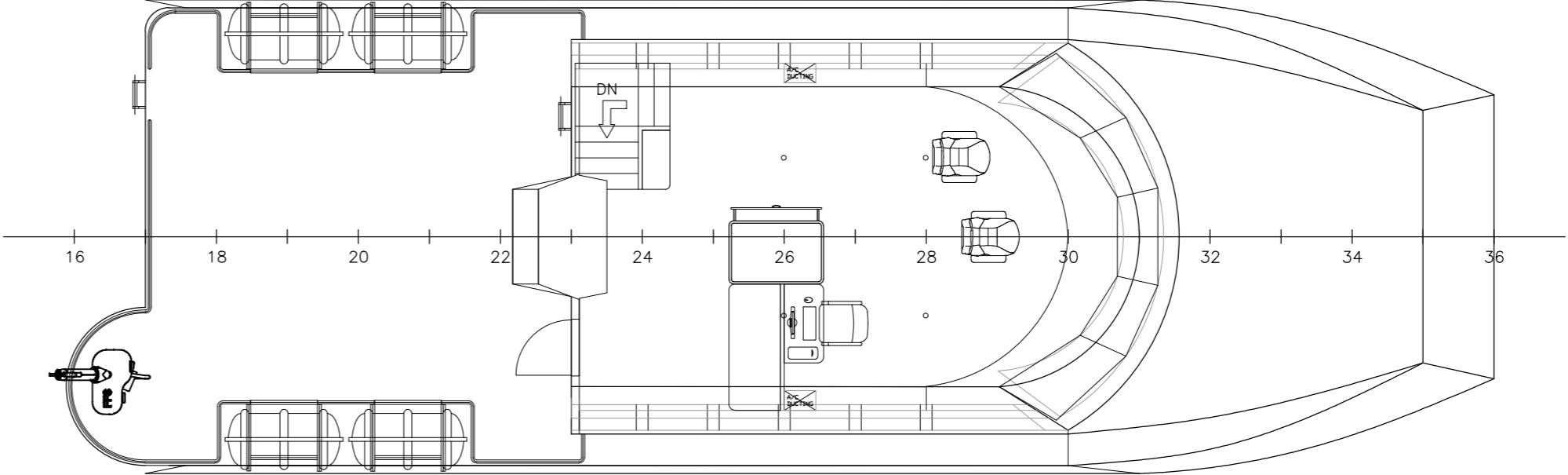
LENGTH O.A.: 38.00 M
 LENGTH B.P.: 34.71 M
 BREADTH MLD.: 7.60 M
 DEPTH MLD.: 3.65 M
 DESIGN DRAFT: 1.890 M
 COMPLEMENT: 10 CREW MEMBERS
 16 OFFSHORE WORKERS



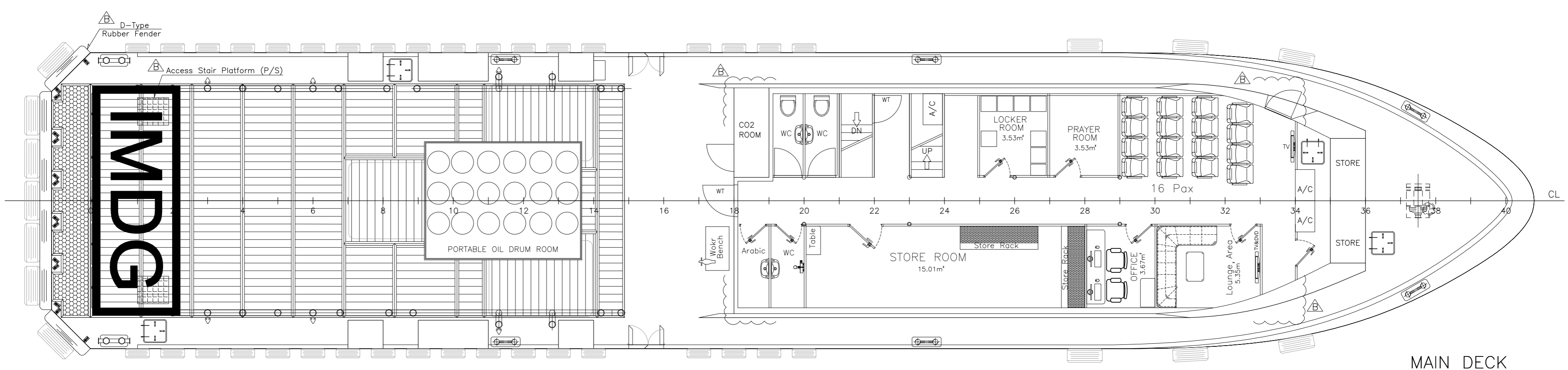
PROFILE



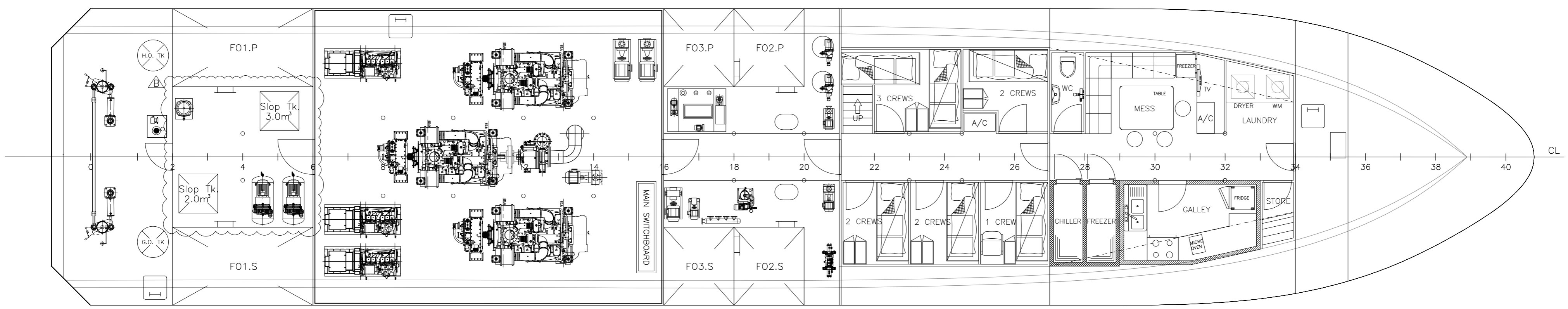
WHEELHOUSE TOP



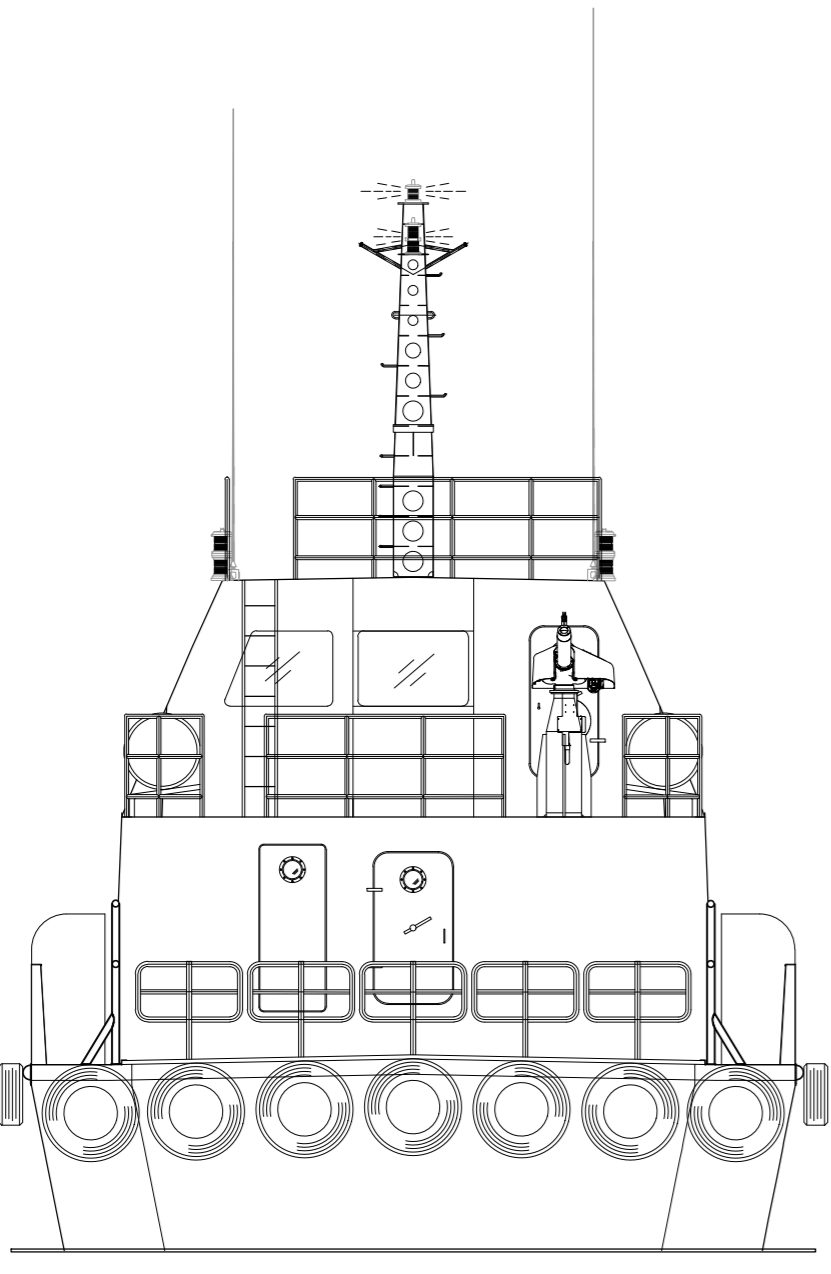
WHEELHOUSE PLAN



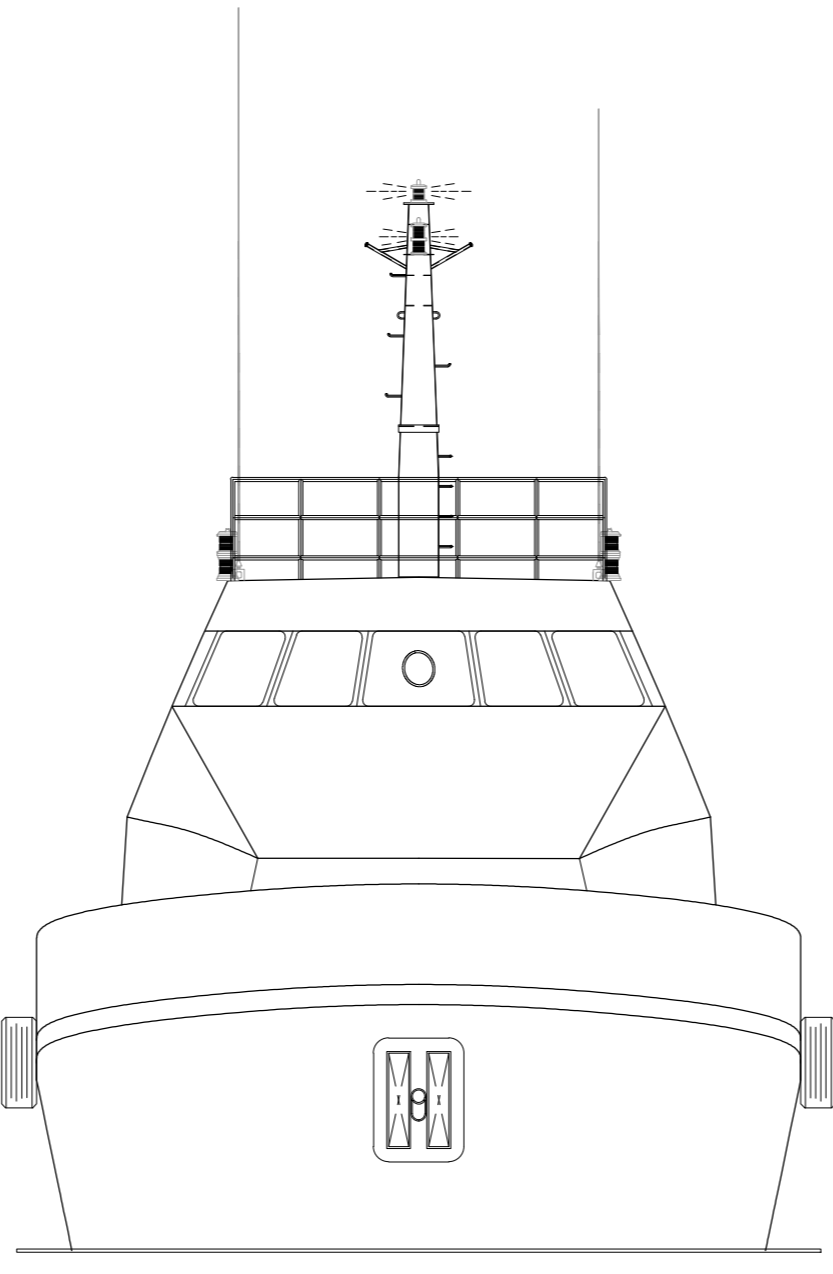
MAIN DECK



BELOW MAIN DECK



STERN VIEW



FRONT VIEW

Main Deck seating modification		B	IJR/DCF	KOK	22-APRIL-15
DESCRIPTION		REV	DRN BY	CHK BY	DATE
CLIENT:					
MICLYN EXPRESS OFFSHORE					
TITLE :		GENERAL ARRANGEMENT PLAN			
SHIP NAME :		EXPRESS 86			
CONTRACT NO.:		DRAWING NO.:			
		MEO-EX86-GAP-001			
DRAWN:		IJR	REV. NO.:	B	SCALE: 1:105
CHECKED:		DCF / KOK	SHEET NO.:	1 OF 1	SIZE: A2
APPROVED:		EBEN TAN		DATE:	17-APRIL-2015



Main Office (Singapore) :
 No.3 Harbour Front Place, #11-01/04 Harbour Front Tower 2
 Singapore 099254
 Tel: (65) 65456211 Fax: (65) 62756212

www.miclynexpressoffshore.com
 This document contains Confidential, Proprietary information and shall not be Copied, Reproduced, Used, Transferred to other Documents or Disclosed to others for any purpose unless Authorized by MEO.