



Samson Supporter

Dynamic Positioned Fast Crew/ Utility/ Supply Vessel

PRINCIPAL PARTICULARS

Year Built	2008
Place Built	Singapore
Design	Strategic Marine
Flag	Malaysia
Length Overall	40.37 m
Length BP	35.00 m
Breadth Moulded	7.50 m
Depth Moulded	3.22 m
Draft (max)	2.30 m
Freeboard (SLL)	18.71 m
Class	BV
Notation	I, Hull, Mach, Crewboat, Unrestricted Navigation, DYNAPOS AM/AT
GRT/ NRT	237.00 T / 71.00 T
Deadweight	82.98 T

DECK PARTICULARS

Clear Deck Area	120 m ²
Deck Carrying Load	40.00 T
Deck Strength	2.00 T/m ²

PERFORMANCE

Maximum Speed	22 Knots @ 20 T DWT
Economic Speed	18 Knots @ 20 T DWT

PROPULSION SYSTEM

Main Engines	2 x Cummins KTA 38M2, 1350 BHP, 1 x Cummins KTA 50M2, 1800 BHP @ 1900RPM, Total 4559 BHP, 3356 kW
Auxiliary Engines	2 x Cummins 6BT-5.9D(m), 80 kW @ 1500 RPM
Portable Generator	Nil
Bow Thruster	2 x Petters S-65-160 AL-DP @ 150 HP
Propellers	3 x Mikado < CAC703
Steering Gear System	2 x PL 14-159
Rudder	2 Units

TANK CAPACITIES

Fuel Oil	59.45 m ³
Fresh Water	26.42 m ³

CARGO DISCHARGE CAPACITIES

Fuel Oil Pump	20 m ³ /hr 55 m @ head, 415 V
Fresh Water Pump	13.5 m ³ /hr @ 55 m head, 415 V
Bilge	30 m ³ /hr @ 54 m head

DECK EQUIPMENT

Anchor Windlass c/w Bow	Hypac Electric Hydraulic Drum Winch
Crane	Nil



ACCOMMODATION

Passenger Seats	Nil
Crew	2 x 1, 5 x 2, 2 x 4 = 20

EXTERNAL FIRE-FIGHTING EQUIPMENT

Fi-Fi Notation	SCUM
Fi-Fi Monitors	1200 m ³ /hr
Fi-Fi Pump	1200 m ³ /hr
Oil Dispersant System	Nil

INTERNAL FIRE-FIGHTING & ANTI-POLLUTION EQUIPMENT

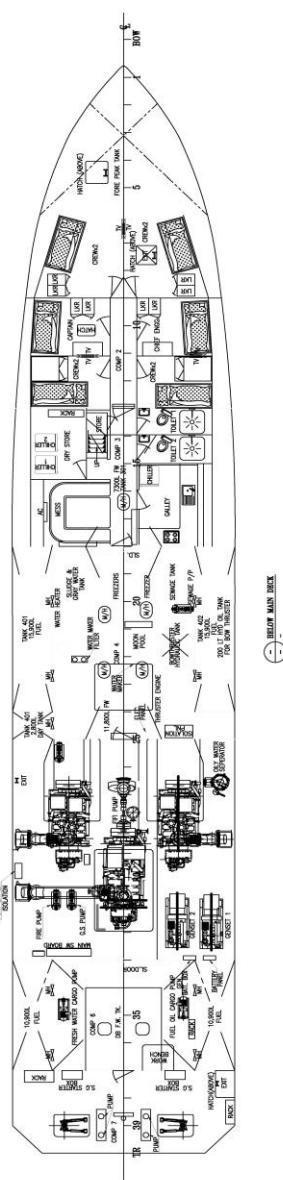
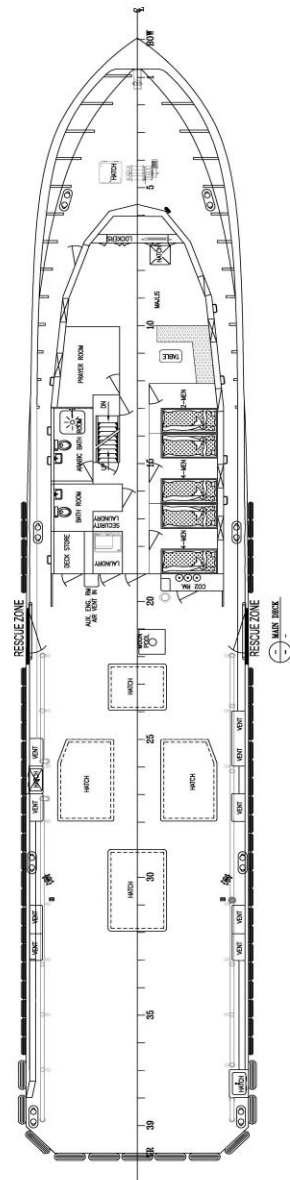
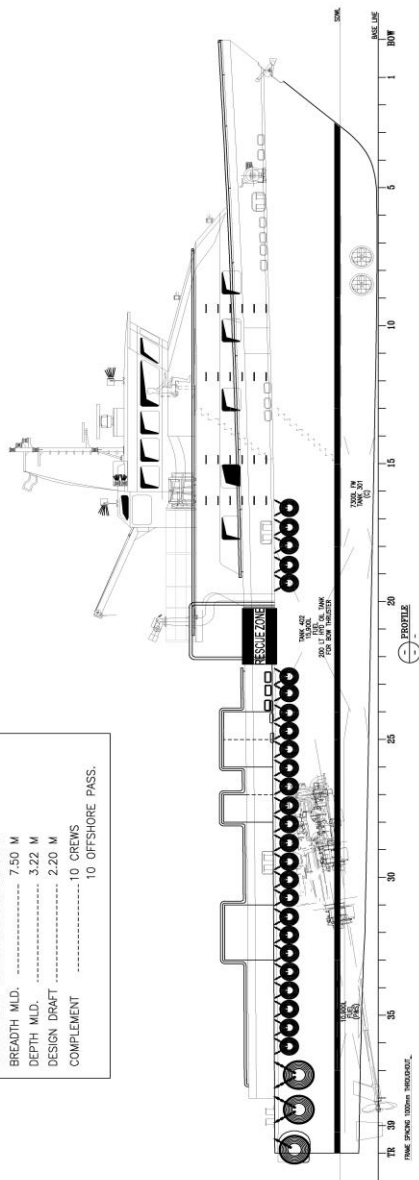
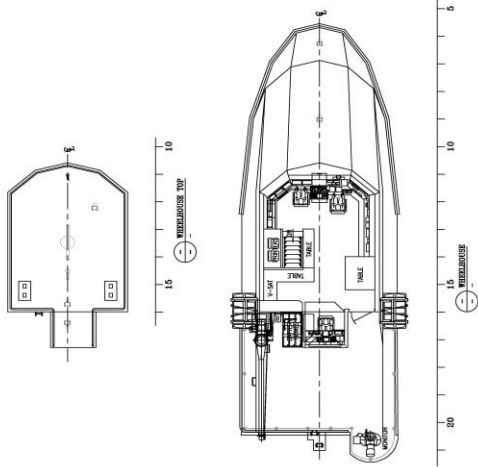
Emergency Fire Pump	32 m Max Total Head, 520 L/min Max Quantity
CO2 Fi-Fi System	Fixed CO2 System for Engine Room
Fire Detection & Alarm	Optical Smoke, Multi-Sensor Smoke & Heat Detector

LIFE-SAVING EQUIPMENT

Life Rafts	2 x 25 men, SOLAS Compliant
Rescue Boat c/w Davit	1 x 6 men, 25 HP, 20 L Fuel Cpty, SOLAS Compliant

PRINCIPAL PARTICULARS

LENGTH O.A.40.37 M
 LENGTH B.P.37.53 M
 BREADTH M.L.D. 7.50 M
 DEPTH M.L.D. 3.22 M
 DESIGN DRAFT 2.20 M
 COMPLEMENT10 CREWS
10 OFFSHORE PAS.



DESIGN NO.	101	LR	EXP.	13/06/2014
REV.	0	DRN BY	CHK BY	DATE

CLIENT: MCLYN EXPRESS OFFSHORE

TITLE: GENERAL ARRANGEMENT PLAN

SHIP NAME: SAMSON SUPPORTER

CONTRACT NO.: MED-GAPSSUP-ENGG-0100

DRAWN: LJR

CHECKED: DCF

APPROVED: CH/LJM

DATE: 19 MAY 2014

SCALE: 1:50

SIZE: A1

NO. OF SHEETS: 1 OF 1

DATE: 19 MAY 2014