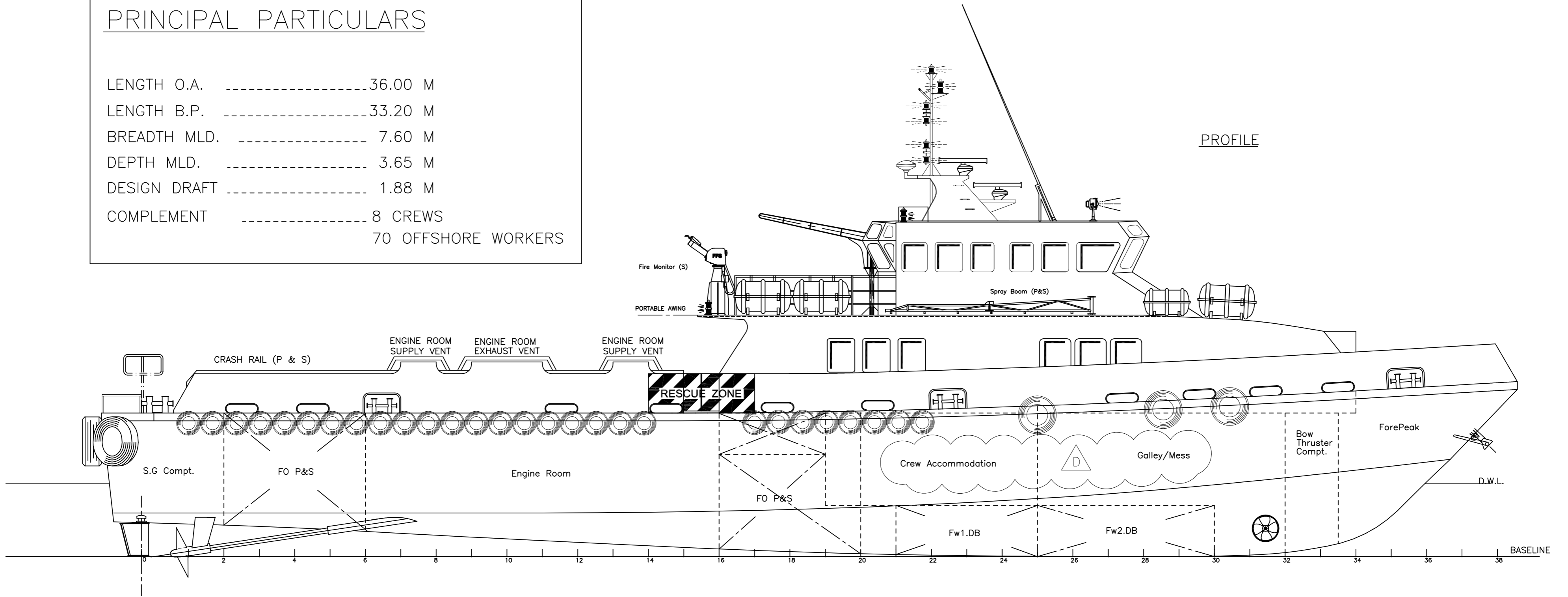
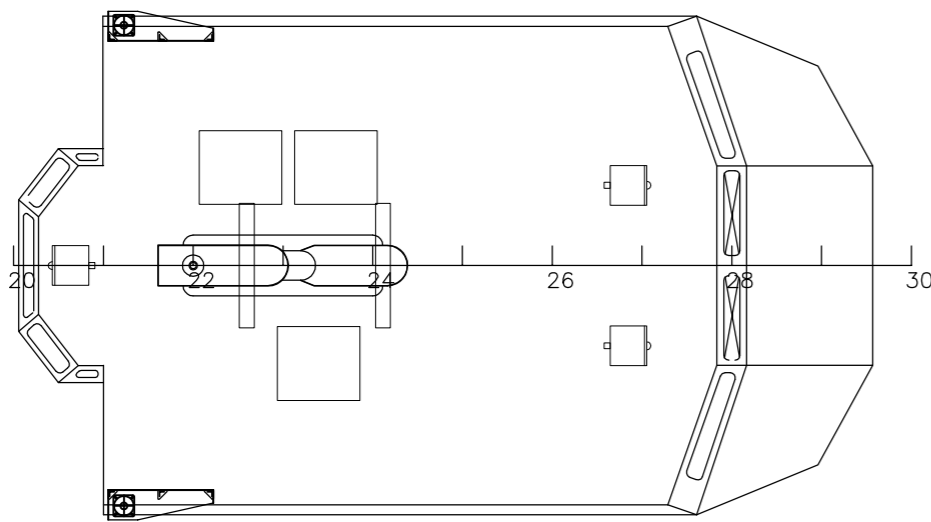


PRINCIPAL PARTICULARS

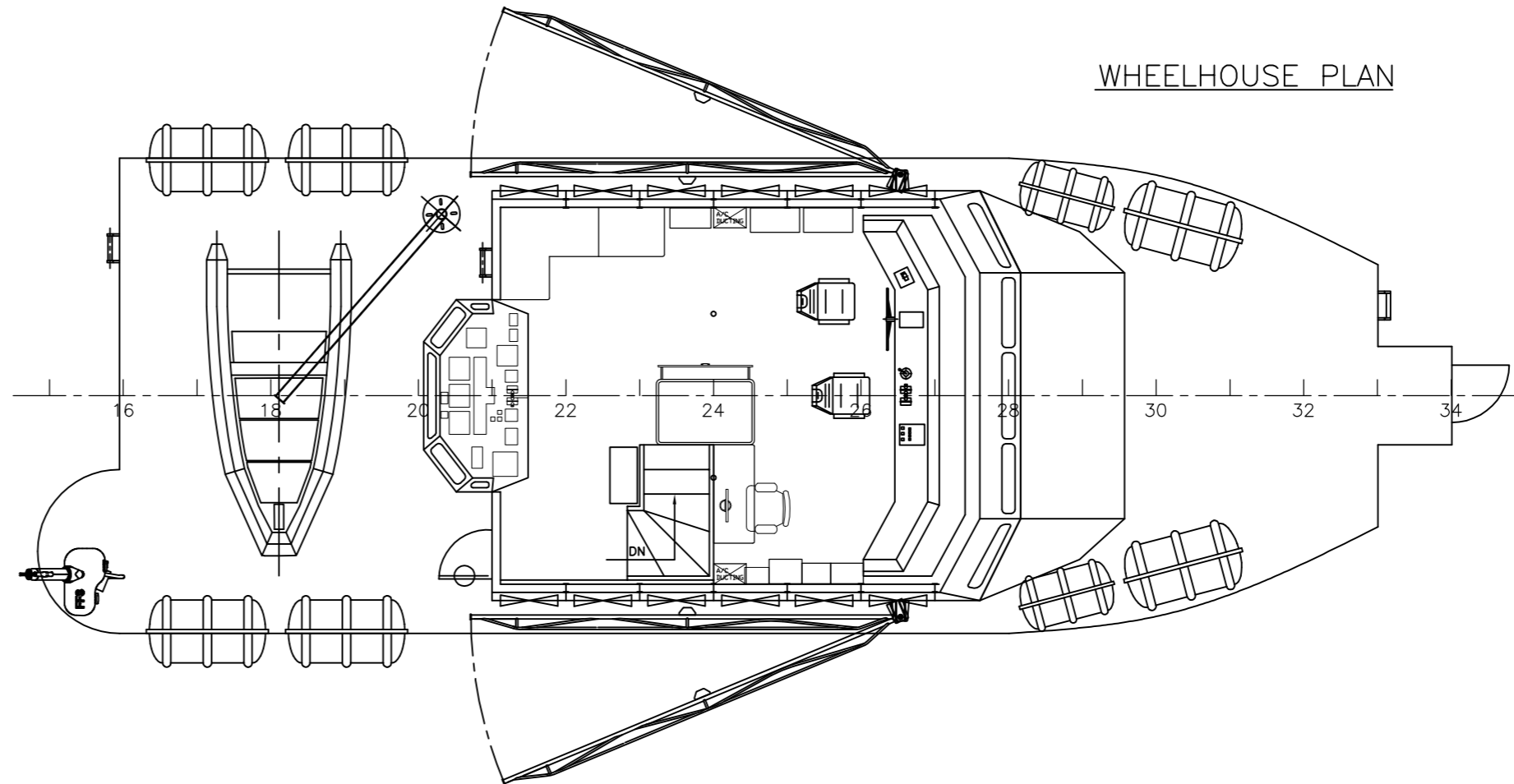
LENGTH O.A. ----- 36.00 M
 LENGTH B.P. ----- 33.20 M
 BREADTH MLD. ----- 7.60 M
 DEPTH MLD. ----- 3.65 M
 DESIGN DRAFT ----- 1.88 M
 COMPLEMENT ----- 8 CREWS
 70 OFFSHORE WORKERS



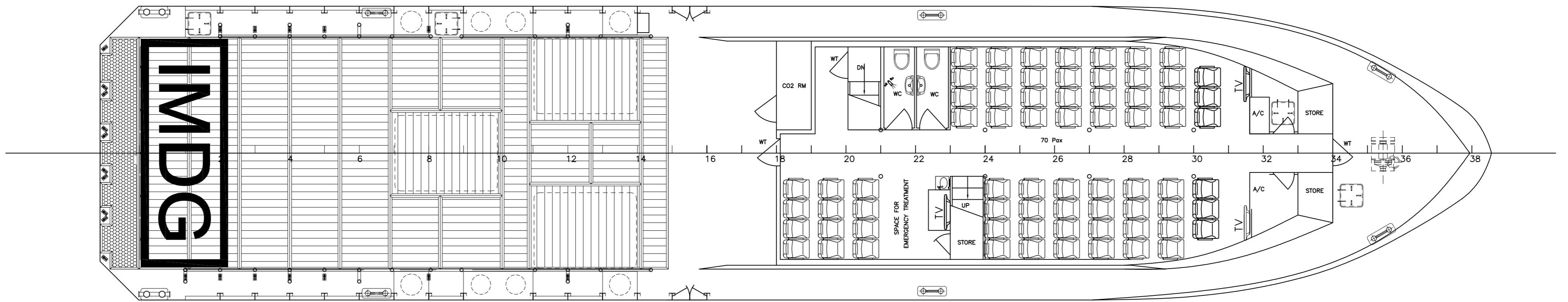
WHEELHOUSE TOP



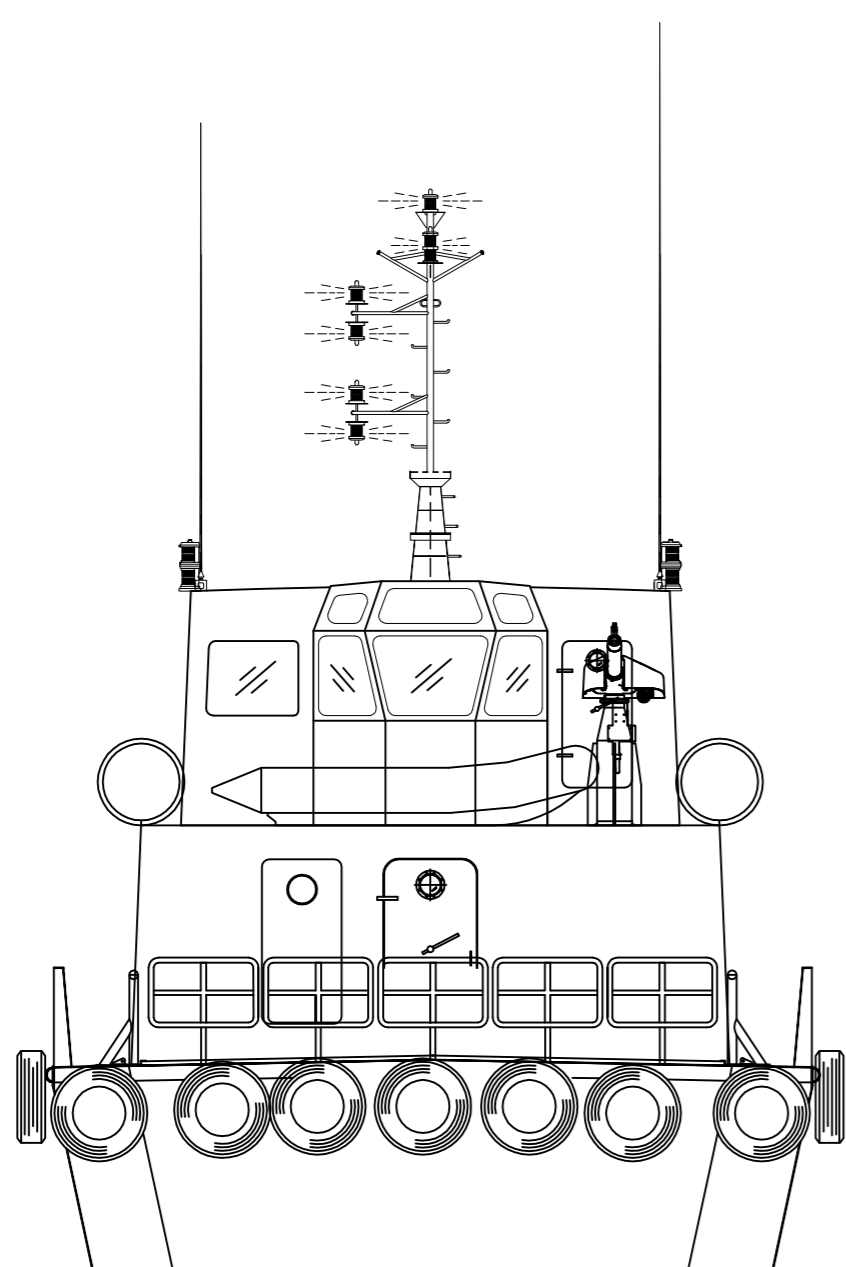
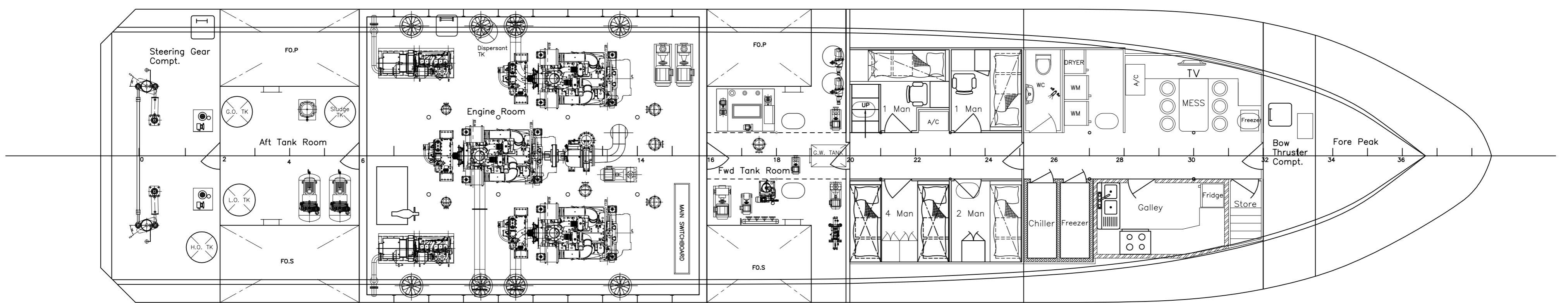
WHEELHOUSE PLAN



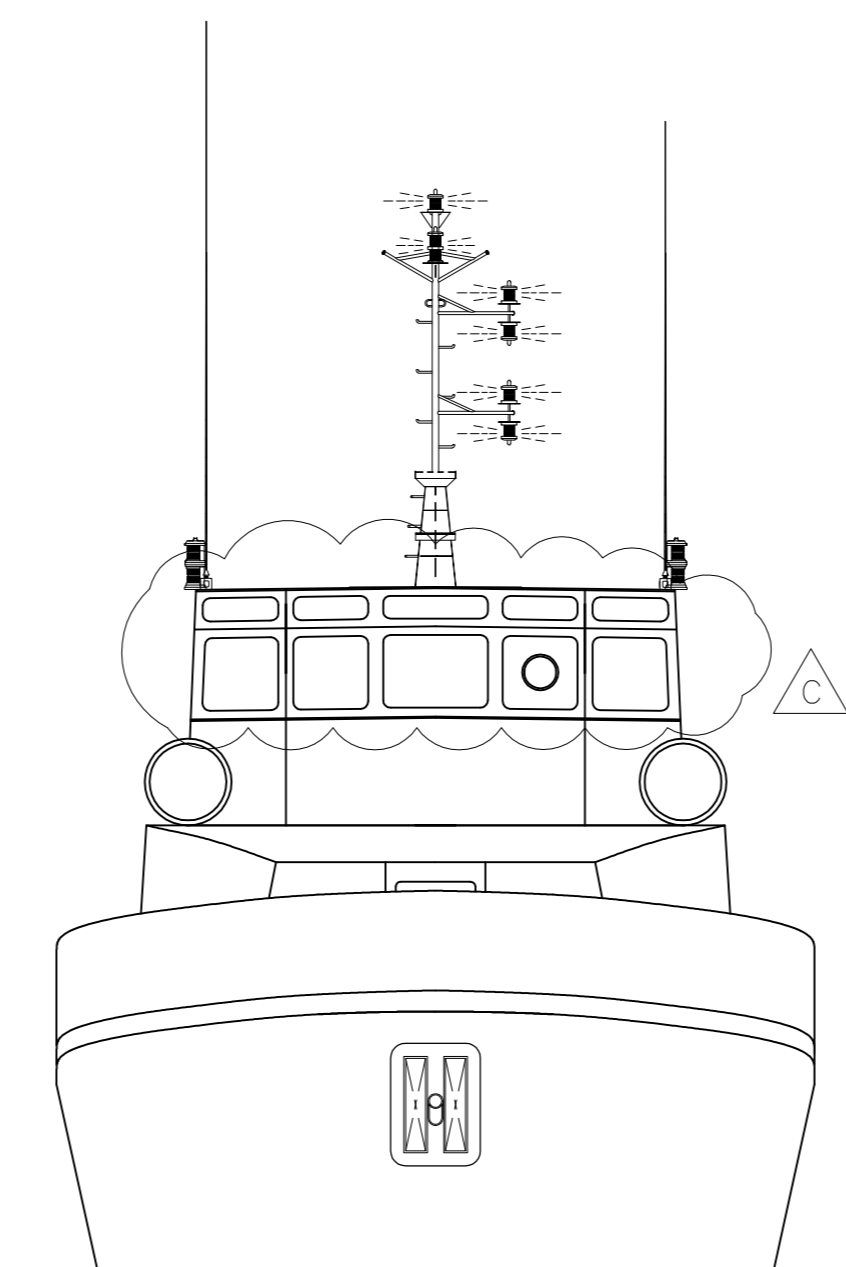
MAIN DECK



BELOW MAIN DECK



STERN VIEW



FRONT VIEW

D	Revised compt. name in profile view	29,NOV,2011	ZH	Yard Comment
C	Update W/H windows	03,MAY,2011	ZH	Yard Comment
B	Rearrange Galley/Mess Room & Crew Accommodation	20,APR,2011	ZH	Owner Request
Rev	Modification	Date	Done	Remark

PROJECT: Flex-36 (H180)

TITLE: GENERAL ARRANGEMENT

PENGUIN SHIPYARD INTERNATIONAL PTE LTD
 18 Tuas Basin Link, Singapore 638784 Tel: 68628322 Fax: 68622150

This drawing and the information contained herein is supplied on the understanding that they are the exclusive property of Penguin Shipyards International Pte Ltd. They must not be used or reproduced in whole or in part, without permission in writing.

DRAWN: ZH DATE: 04,MAR,2010 SCALE: 1:75 (A1)

CHECKED: PATRICK DATE: 04,MAR,2010 REVISION: D

DRAWING No.: PBIL-H168-G-01 SHEET: 1 OF 1