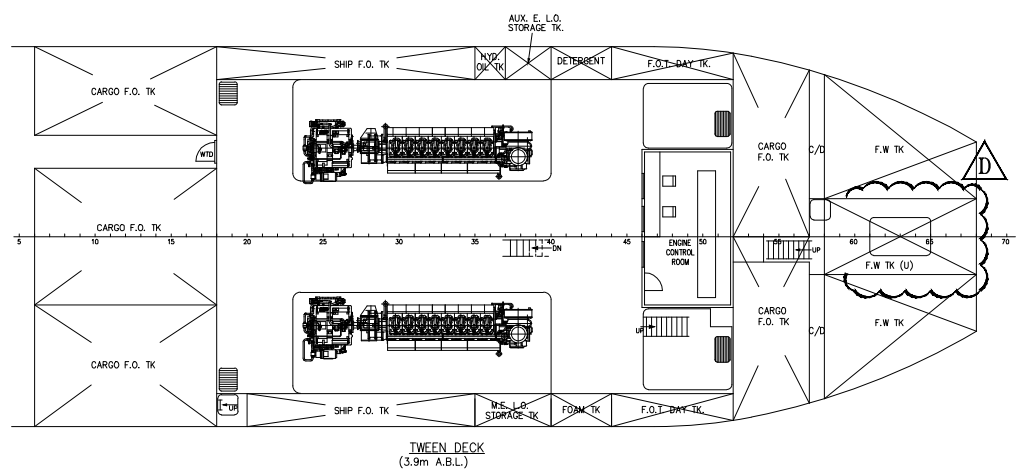
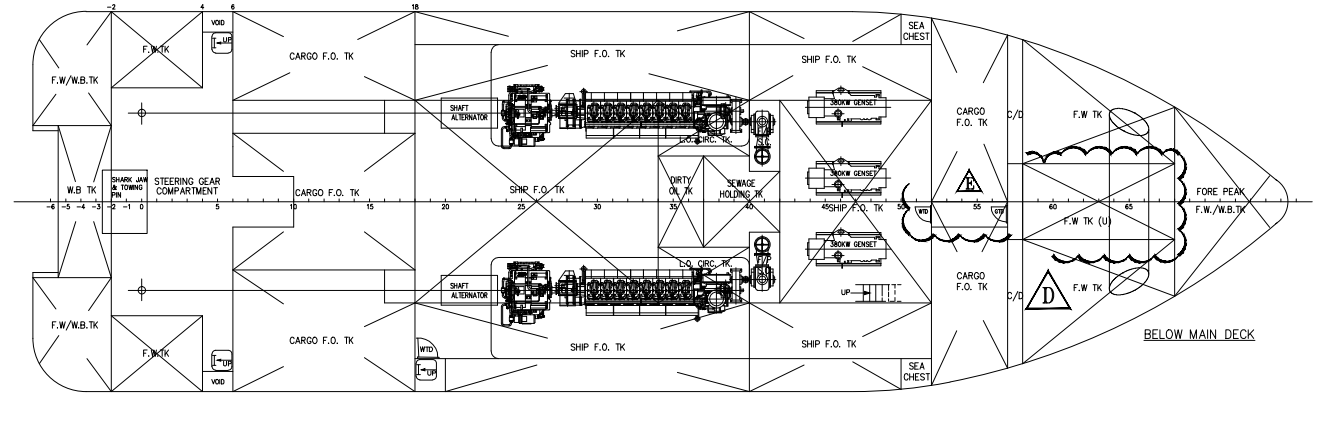


PRINCIPAL PARTICULARS

LENGTH O.A.	52.00m
LENGTH B.P.	44.40m
LENGTH W.L.	48.80m
BEAM MLD.	15.00m
DEPTH MLD.	6.50m
DRAFT MLD.	5.00m
DRAFT MAX.	5.70m
COMPLEMENT	26 MEN



DESCRIPTION	REV	DRN BY	CHK BY	DATE
CLIENT:				
MICLYN EXPRESS OFFSHORE				
TITLE: GENERAL ARRANGEMENT PLAN				
SHIP NAME: MAGELLAN 1				
CONTRACT NO.:		DRAWING NO.:		
		MEO-MAG1-GAP-001		
DRAWN:		REV. NO.:	SCALE:	
IJR		F1	1:100	
CHECKED:		SHEET NO.:	SIZE:	
DCF		1 OF 1	A3	
APPROVED:		DATE:		
ERIK TING		12-JANUARY-2016		



Main Office (Singapore):
 No. 3 Harbour Front Place, #11-01/04 Harbour Front Tower 2
 Singapore 099254
 Tel: (65) 65456211 Fax: (65) 62756212

www.miclynexpressoffshore.com
 This document contains Confidential, Proprietary information and shall not be Copied, Reproduced, Used, Transferred to other Documents or Disclosed to others for any purpose unless Authorized by MEO.