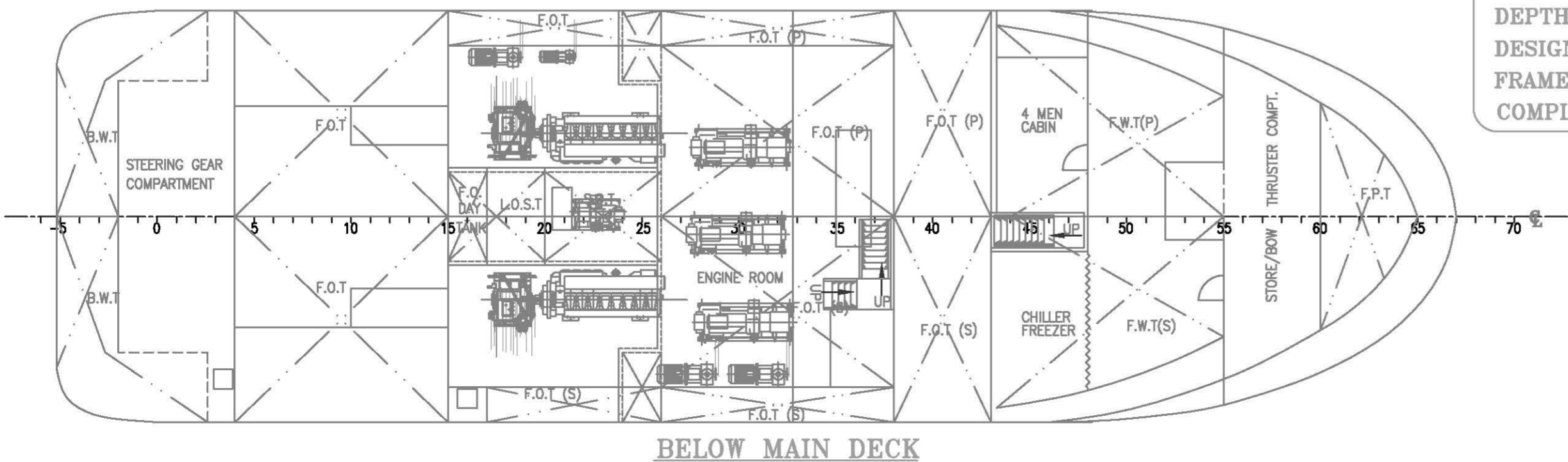
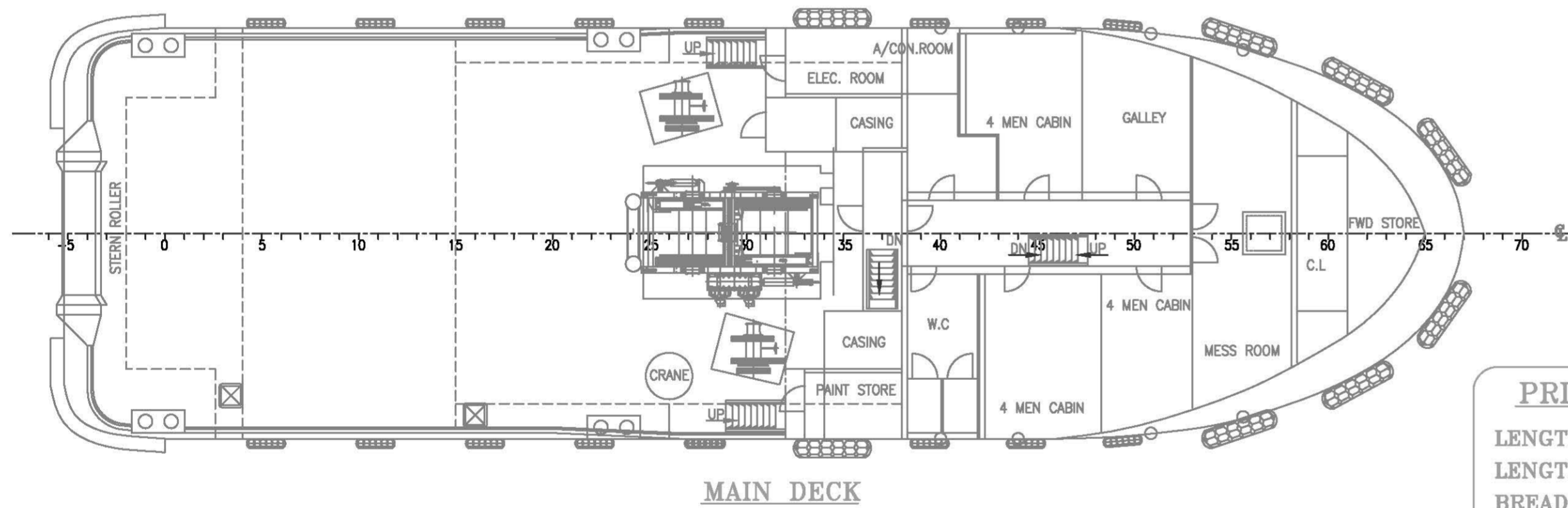
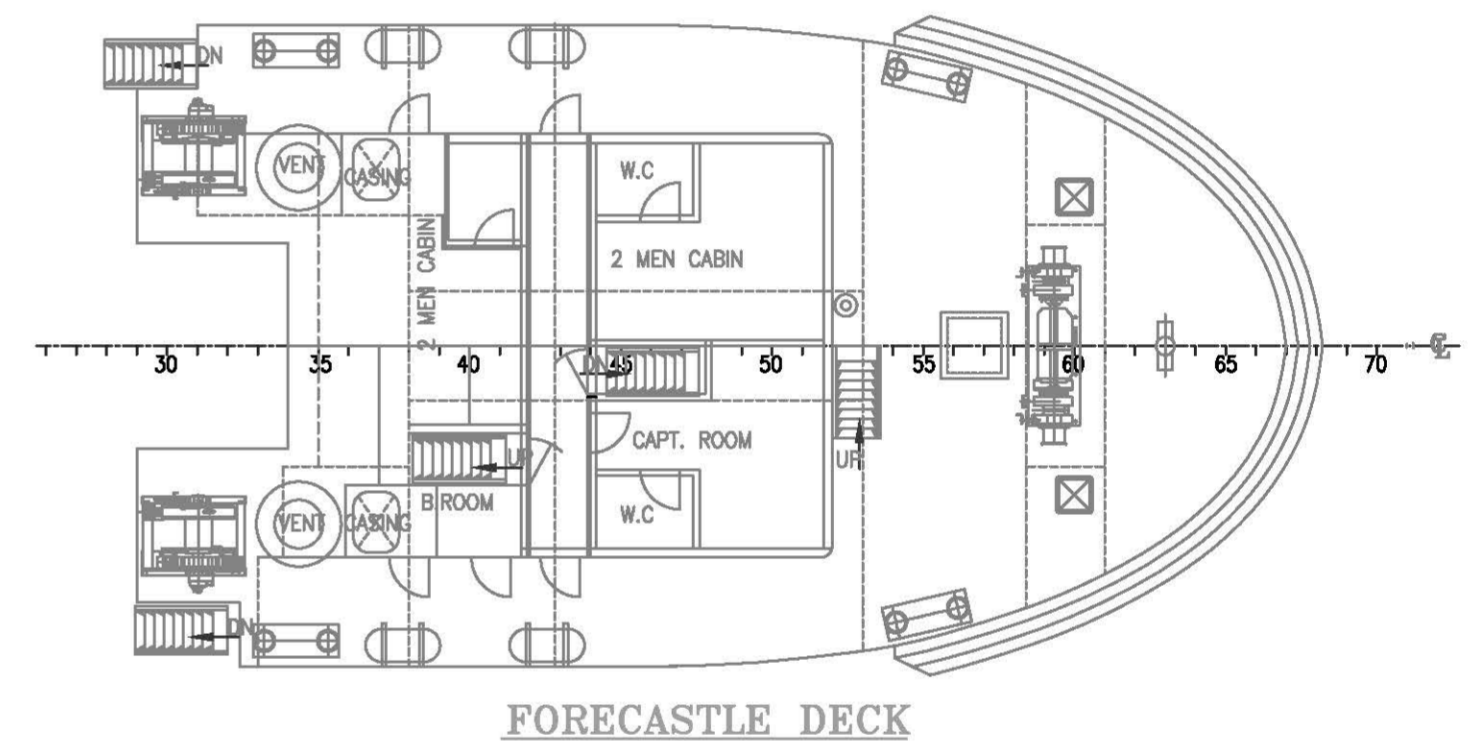
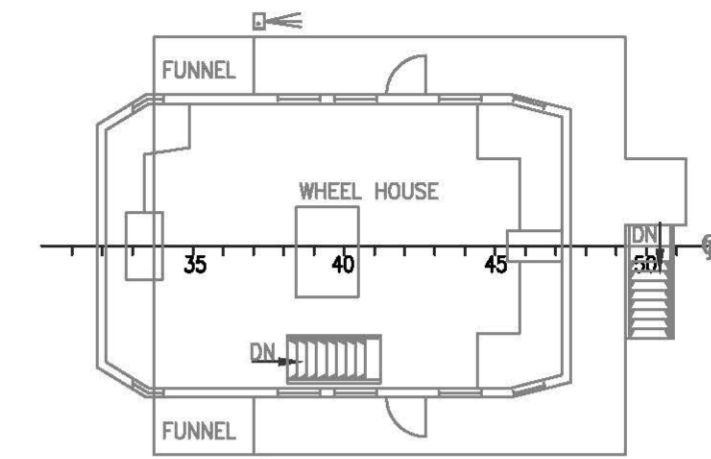
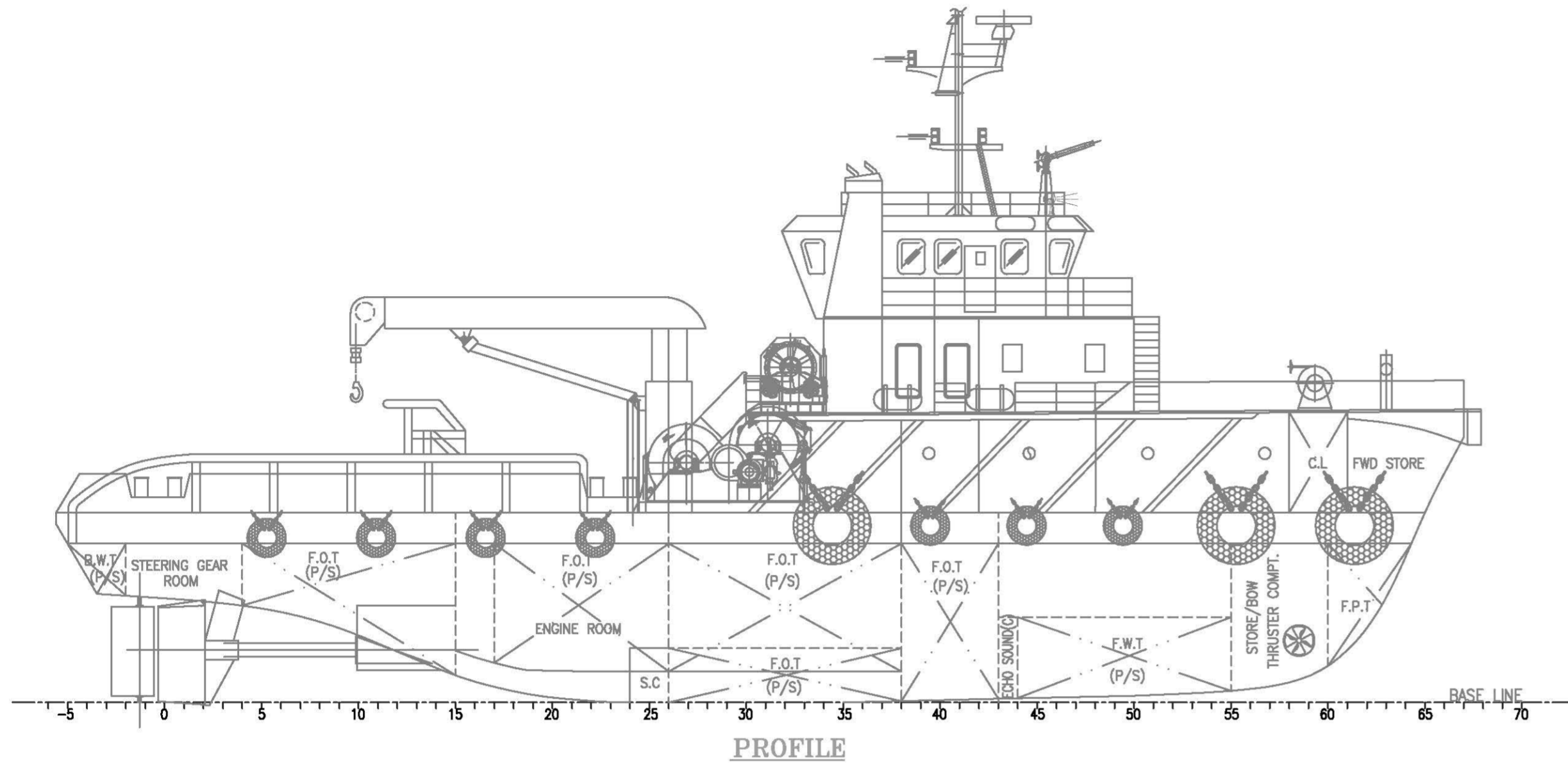


# GENERAL ARRANGEMENT PLAN - MICLYN ORION



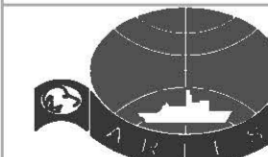
PRINCIPAL PARTICULARS	
LENGTH (O.A.)	: 38.10 m
LENGTH (B.P.)	: 32.75 m
BREADTH (MLD.)	: 10.60 m
DEPTH (MLD.)	: 4.90 m
DESIGNED DRAUGHT	: 4.10 m
FRAME SPACING	: 0.50 m
COMPLEMENT	: 25 PERSON

## MICLYN ORION

REV	DATE	DESCRIPTION	REVISED BY	APPROVED
C	18.07.17	REVISED AS PER OWNERS REQUEST	IJR	DCF
B	23.01.13	REVISED AS PER CLIENT COMMENTS	SM	GM
A	22.01.13	REVISED AS PER CLIENT COMMENTS	SM	GM
O	20.01.13	INITIAL ISSUE	-	GM

### REVISIONS

**MICLYN EXPRESS OFFSHORE**  
 WAREHOUSE.NO.13  
 HAMARIYA FREEZONE.SHARJAH,UAE  
 TEL-065261633,FAX-065261644



**ARIES MARINE & ENGG. SERVICES**  
 P.O. BOX - 24496, SHARJAH, U.A.E.  
 Tel: 00971(0)6 5614166, Fax: 00971(0)6 5614167  
 Website: www.ariesmar.com, Email: design@ariesgroup.ae

This drawing, design concept, and specifications are the property of **ARIES MARINE & ENGG. SERVICES** and are furnished on a confidential basis with an expressed understanding that they will not be copied in any manner, used for manufacture, sold, transferred, nor used to the detriment of said firm without written permission. The recipient further agrees not to disclose these contents hereof to any other parties except for those specific purposes for which this drawing was issued.

TITLE: <b>GENERAL ARRANGEMENT PLAN (AS BUILT)</b>			
VESSEL NAME : MICLYN ORION	DATE : 23.01.13	DWG. No : DN8718/201	
DRAWN BY : SM	JOB No : DN8718	SHEET : 01 OF 01	
CHECKED BY : DD	SCALE : 1:125	REV : B	SIZE : A2