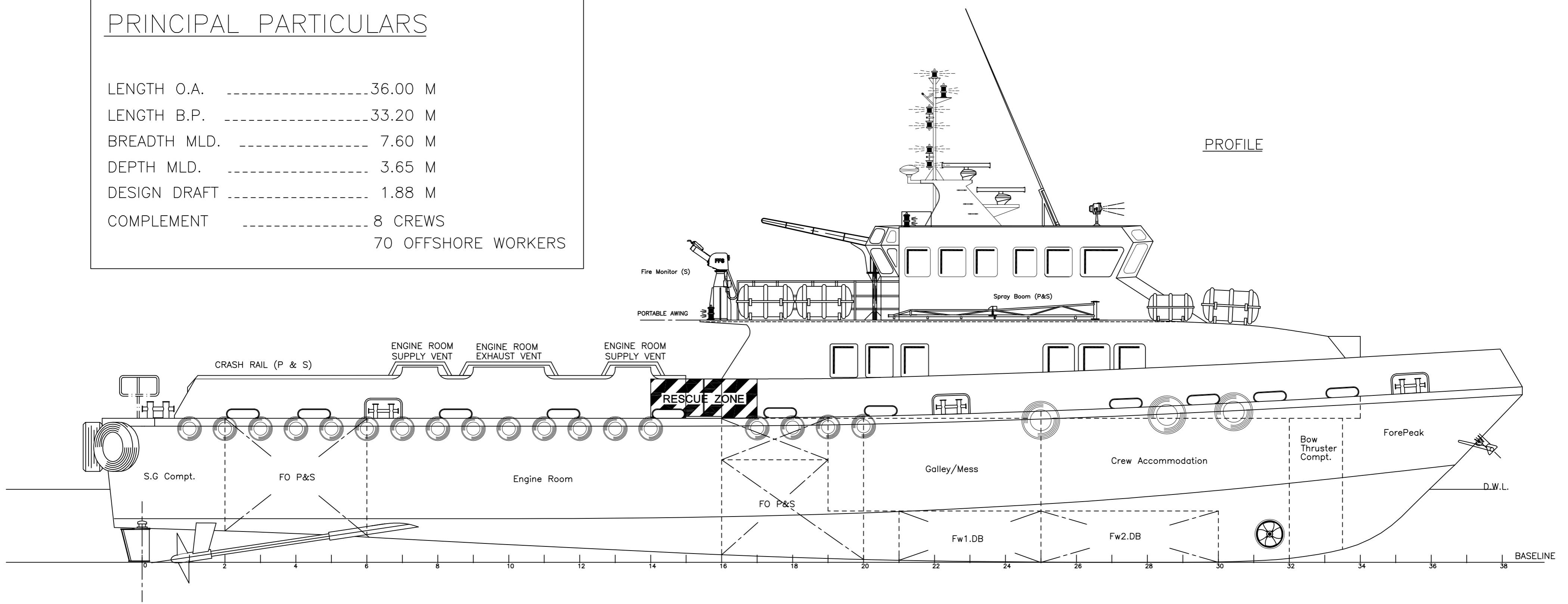
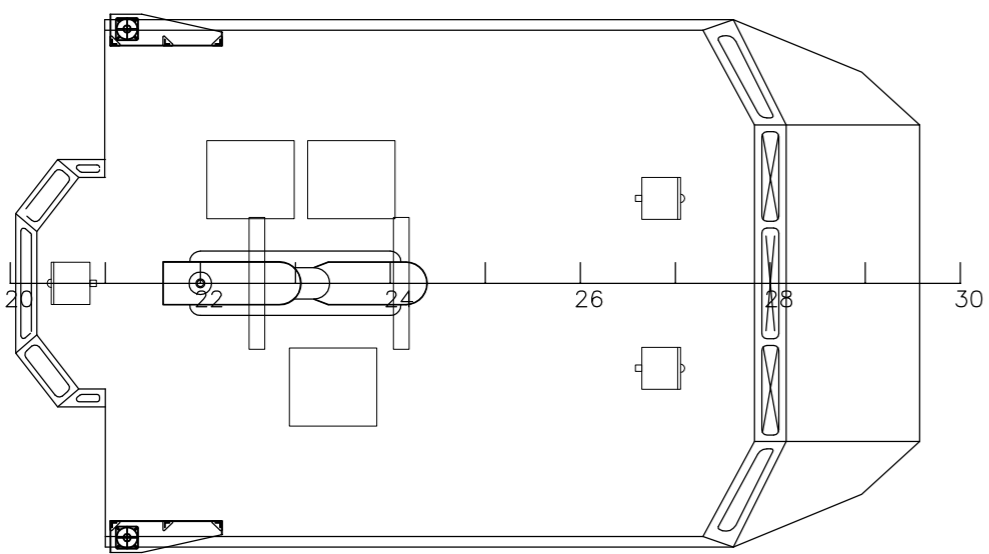


PRINCIPAL PARTICULARS

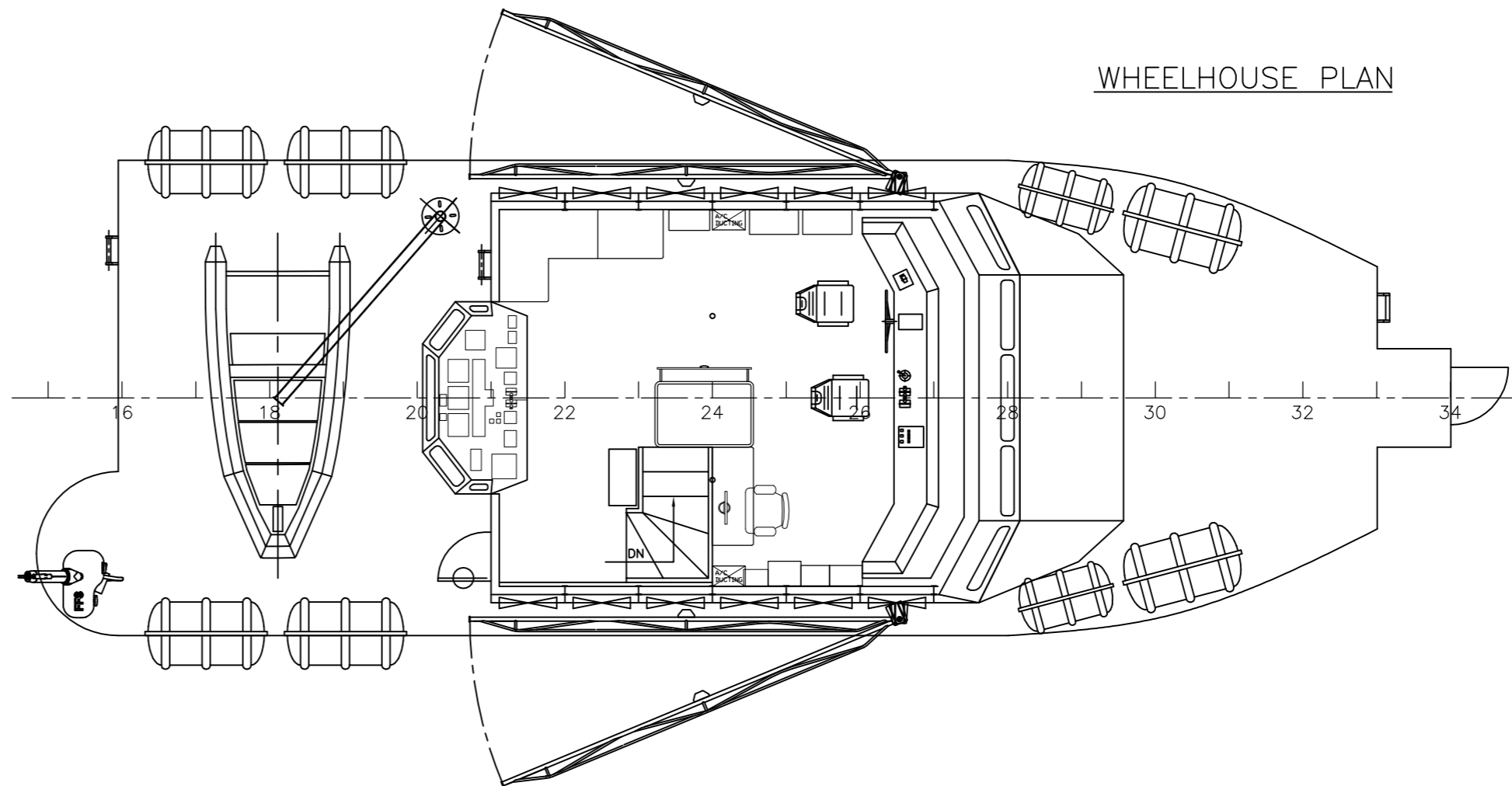
LENGTH O.A. -----36.00 M  
 LENGTH B.P. -----33.20 M  
 BREADTH MLD. ----- 7.60 M  
 DEPTH MLD. ----- 3.65 M  
 DESIGN DRAFT ----- 1.88 M  
 COMPLEMENT ----- 8 CREWS  
 70 OFFSHORE WORKERS



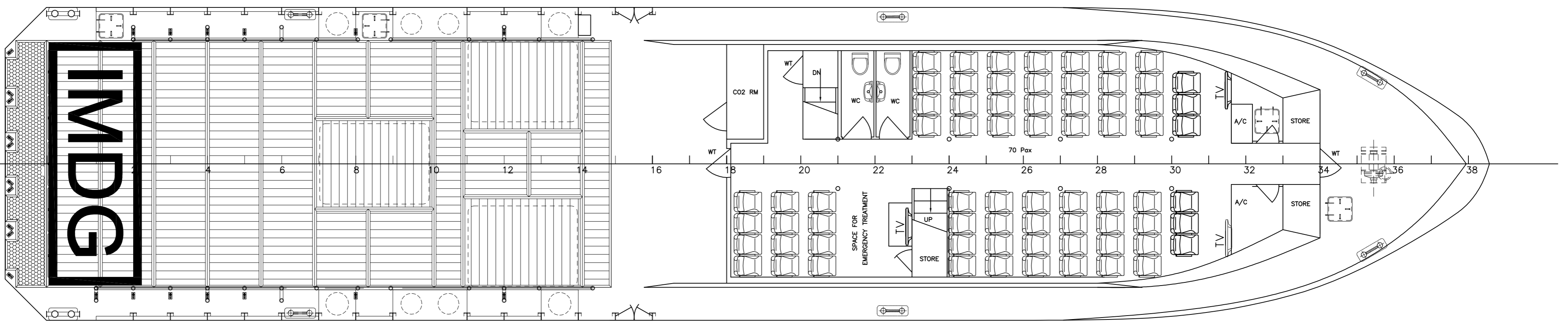
WHEELHOUSE TOP



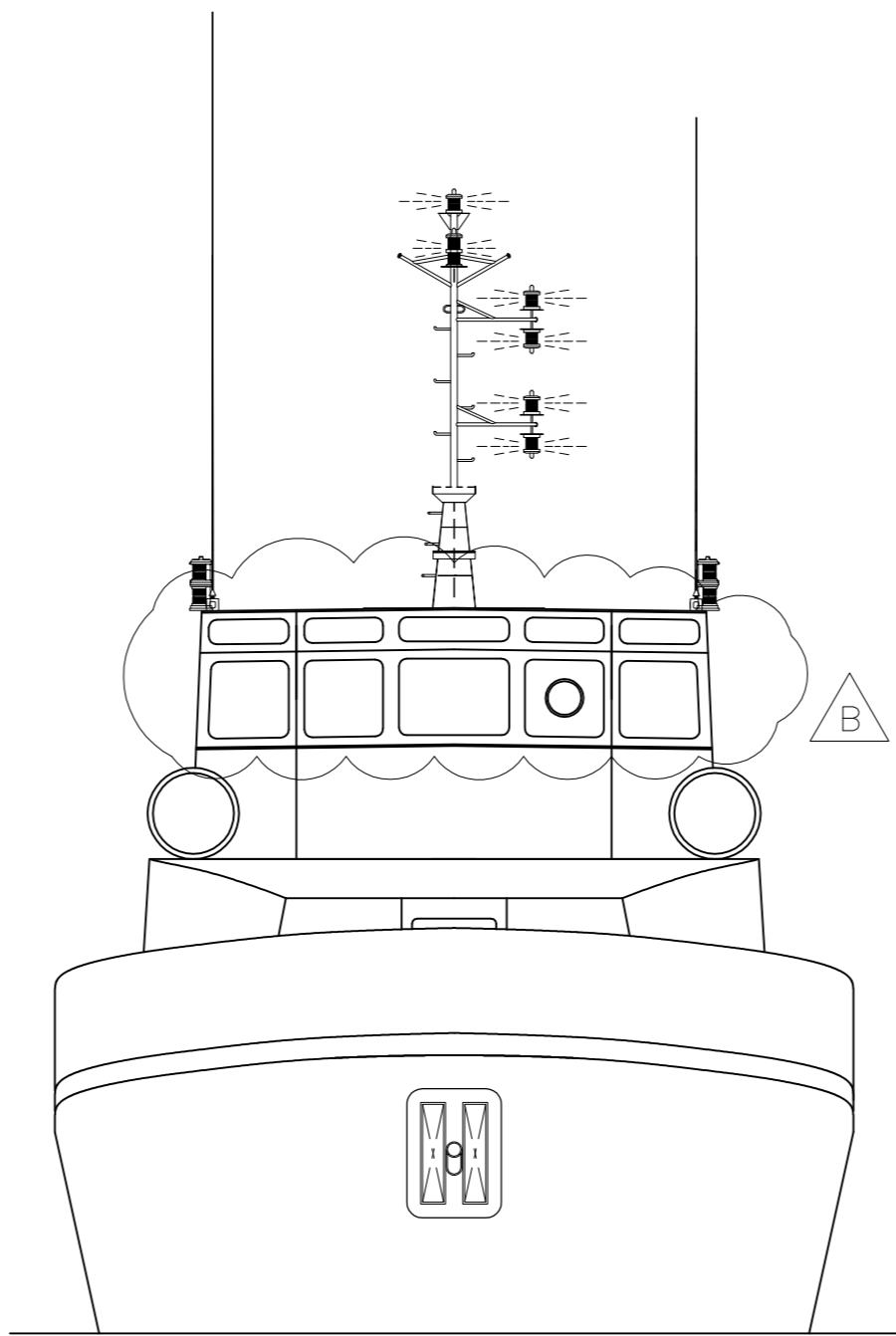
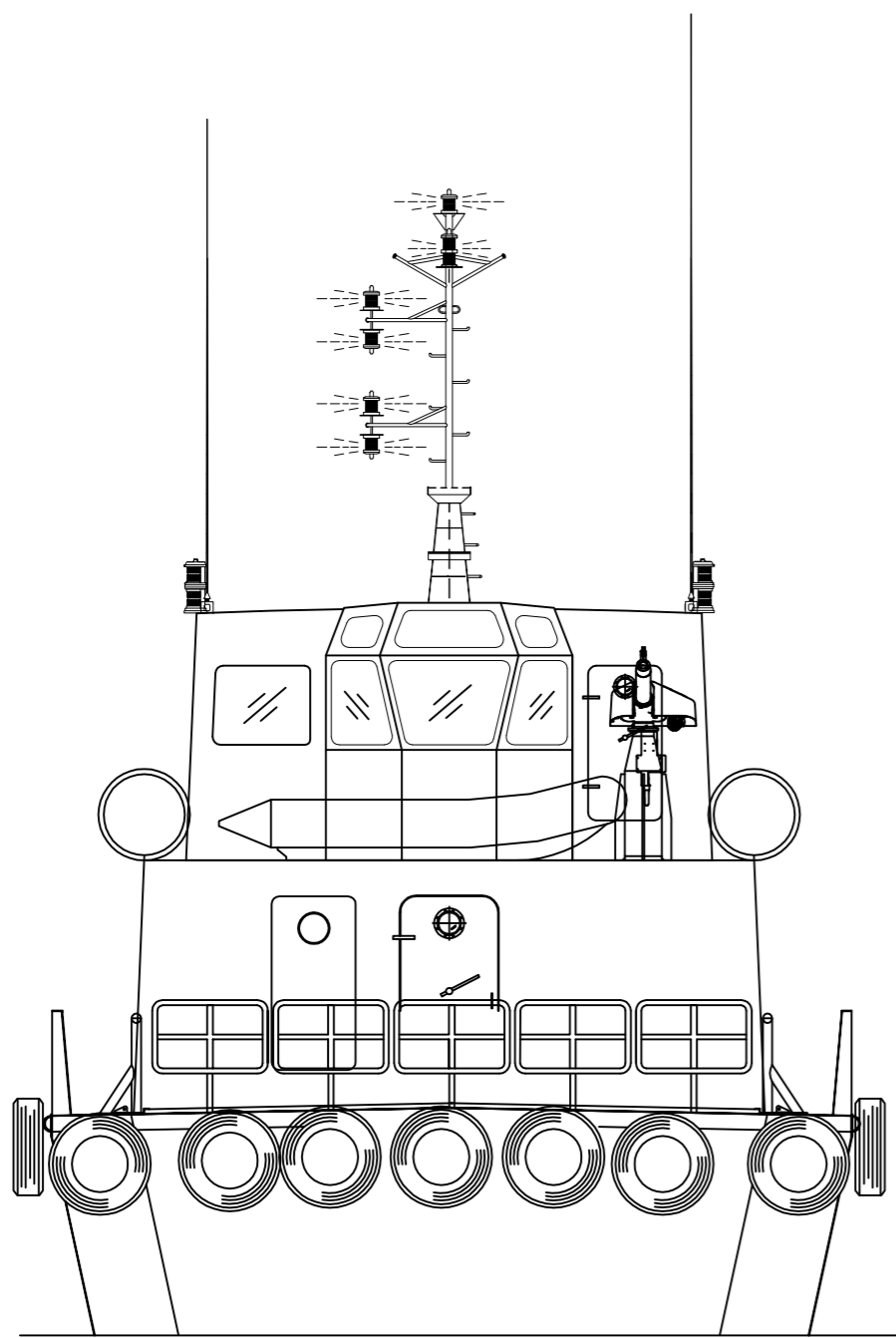
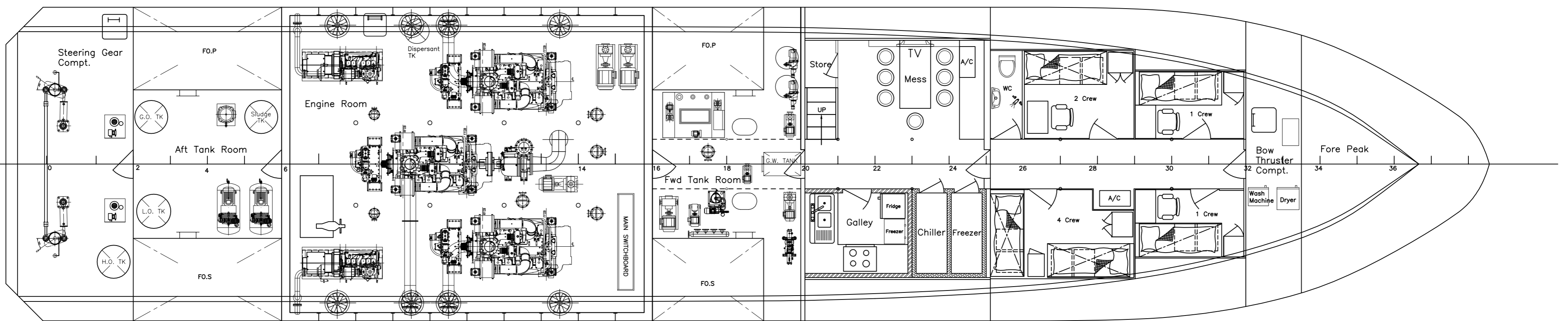
WHEELHOUSE PLAN



MAIN DECK



BELOW MAIN DECK



B	Update W/H window	03,MAY,2011	ZH	Yard comment
Rev	Modification	Date	Done	Remark
PROJECT:		Flex-36 (H178)		
TITLE:		GENERAL ARRANGEMENT		
<b>PENGUIN SHIPYARD INTERNATIONAL PTE LTD</b> 18 Tuas Basin Link, Singapore 638784 Tel: 68628322 Fax: 68622150 This drawing and the information contained herein is supplied on the understanding that they are the exclusive property of Penguin Shipyard International Pte Ltd. They must not be used or reproduced in whole or in part, without permission in writing.				
DRAWN:	ZH	DATE:	17,JAN,2011	SCALE: 1:75 (A1)
CHECKED:	PATRICK	DATE:	05,APR,2011	REVISION: B
DRAWING No.:		PB1-H168-G-01		SHEET: 1 OF 1