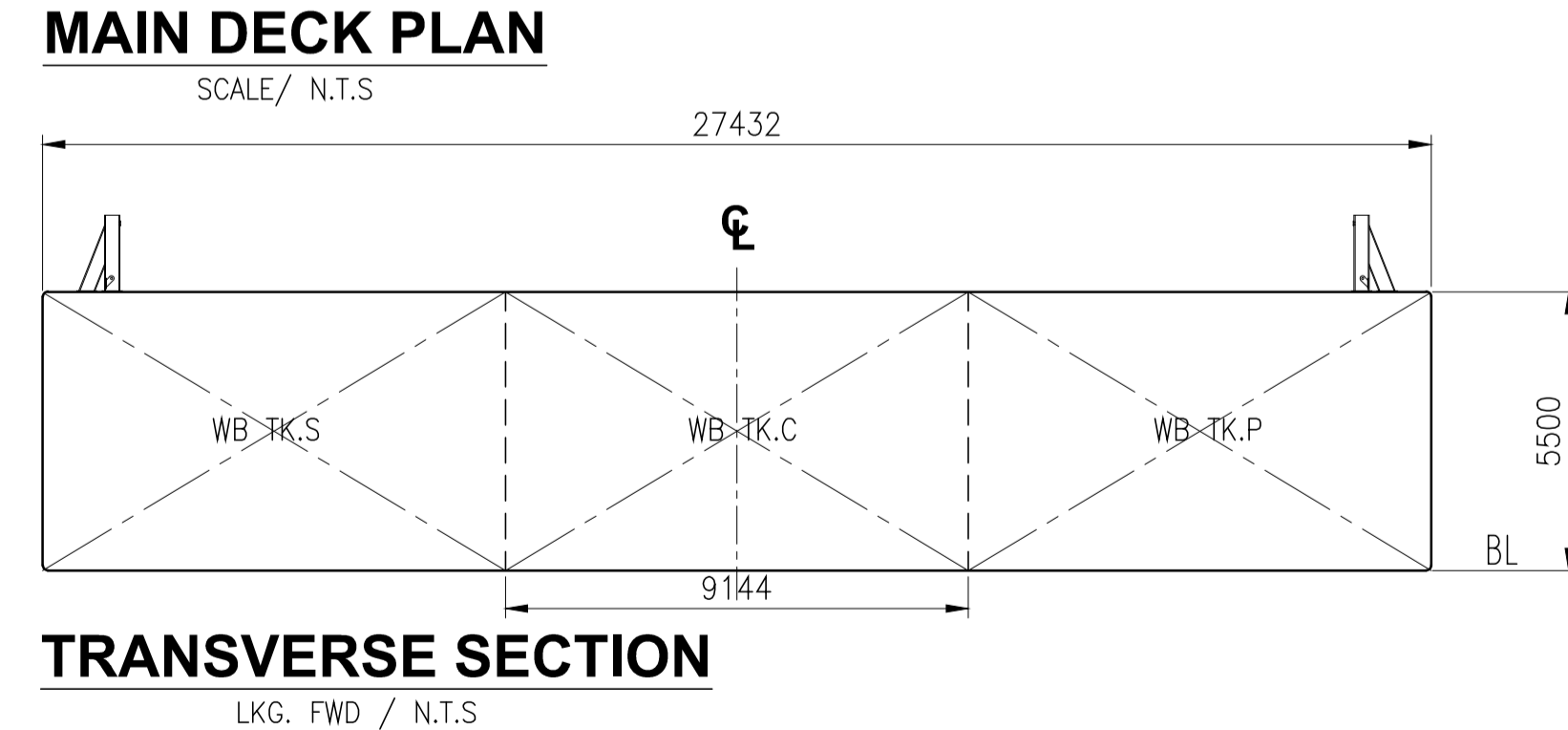
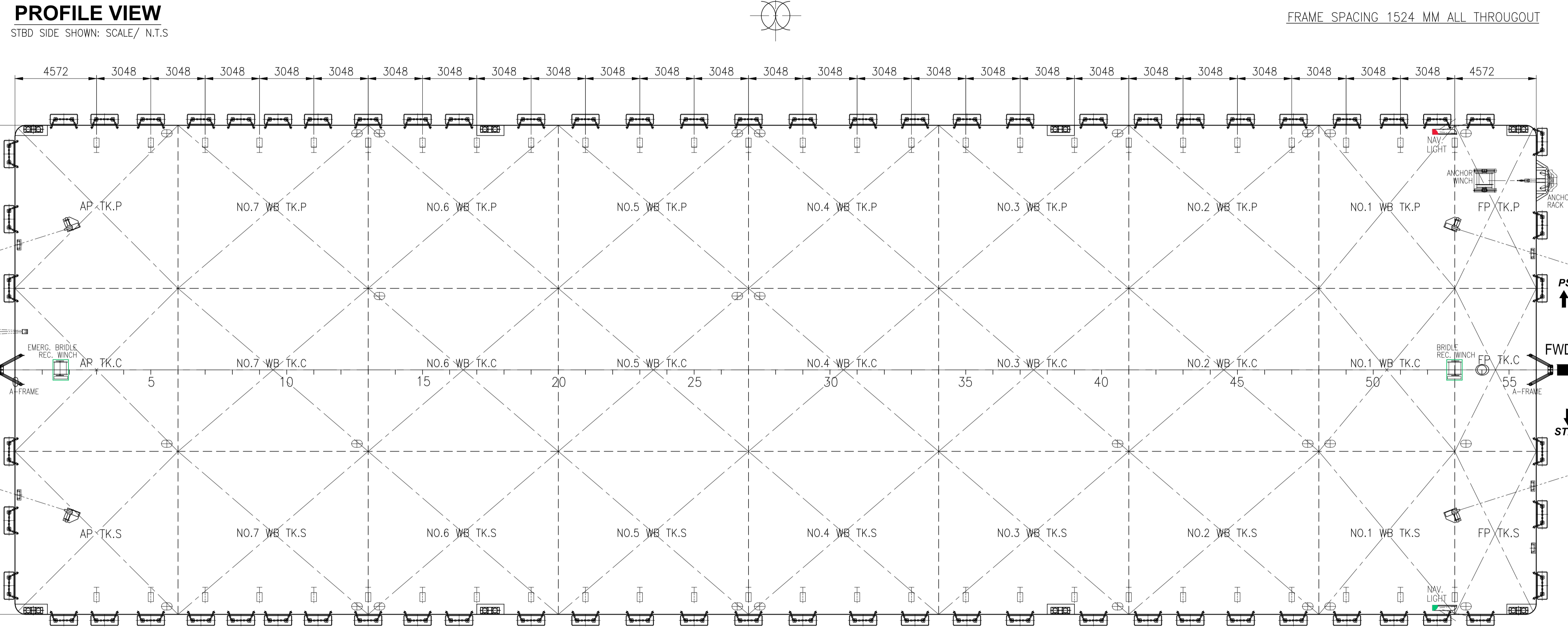
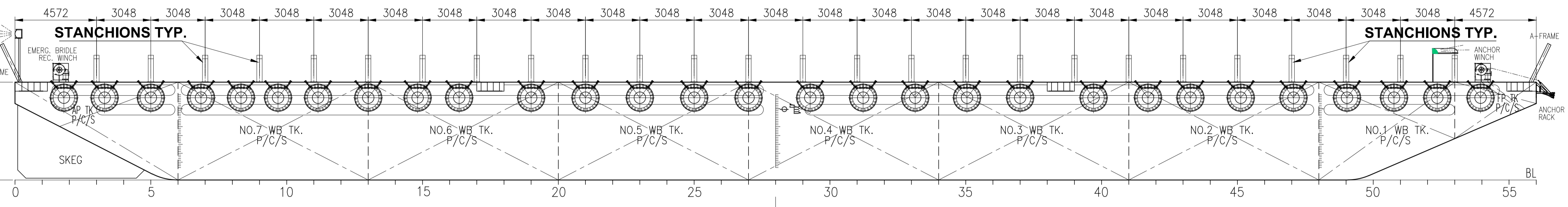


# GENERAL ARRANGEMENT PLAN for " MICLYN 283 "



## PRINCIPAL PARTICULARS

- LENGTH OVERALL - 85.344 M. (280'-00")
- BREADTH MLD. - 27.432 M. ( 90'-00")
- DEPTH MLD. - 5.500 M. ( 18'-00")
- DRAFT MLD. - 4.420 M. ( 14'-06")
- DECK LOAD - 15.000 TON/M2
- CLASS NOTATION: BV, I HULL + PONTOON UNRESTRICTED NAVIGATION

NOTE :  
1. ALL DIMENSIONS ARE IN MM UNLESS INDICATED OTHERWISE.

DRAWING NO		REV	DRAWING TITLE	REV	DATE	DESCRIPTION	ORIGINATOR	REVIEWER	APPROVER	CLIENT	APPROVED	DATE
1			GENERAL ARRANGEMENT PLAN	0	10-16-02	ISSUED FOR RECORD AND REFERENCE ONLY	HUA	-	-	-	CT	10-16-02
2		11-09-18	UPDATED DRAWING AS PER CORRECT TANK NAME & NUMBER	JBI	RS	SS	-	-	-	-	JBI	
1		28-10-16	UPDATED DRAWING	JBI	RS	CT	-	-	-	-	RS	

This Document Contains Confidential Proprietary Information And Shall Not Be Copied, Reproduced, Used, Transferred To Other Documents Or Disclosed To Others For Any Purpose Unless Authorized By EOS

Purchaser Review & Comments shall not be assumed to indicate either responsibility or liability for accuracy & completeness of this document or to alter any contractual terms and conditions.

CONTRACT NO. : -

CONTRACT TITLE: Marine Transportation of Offshore Pipe Lines

TITLE: GENERAL ARRANGEMENT PLAN BARGE - MICLYN 283

EOS DWG. NO. EOS-ENGG-083

SCALE [ A3 SIZE ] : -

DATE : -

10 HOE CHIANG ROAD,  
#09-01 KEPPEL TOWERS,  
SINGAPORE 089315  
TEL: (65) 6545 6211  
FAX: (65) 6820 0167

SHT. 1 OF 1 REV. 2