



EXPRESS 54

Crewboat/ Utility Vessel



PRINCIPAL PARTICULARS

Year Built	1998
Place Built	Penguin Shipyard, Singapore
Design	Shiptech Naval Architects
Flag	Indonesia
Length Overall	36.60 m
Length BP	35.34 m
Breadth Moulded	7.60 m
Depth Moulded	3.35 m
Draft (max)	1.51 m
Freeboard (SLL)	1.79 m
Class	BV
Notation	I, Hull, MACH, Special Service/ Utility Vessel, Unrestricted Navigation
GRT/ NRT	230.00 T / 69.00 T
Deadweight	58.68 T

DECK PARTICULARS

Clear Deck Area	90.00 m ²
Deck Carrying Load	50.00 T
Deck Strength	1.00 T/m ²

PERFORMANCE

Maximum Speed	20 Knots @ 13.5 T/24 hrs
Economic Speed	18 Knots @ 11.5 T/24 hrs

PROPULSION SYSTEM

Main Engines	4 x MAN B&W D2842, LE408, 1000 BHP, 746 kW @ 2100 RPM, Total 4000 BHP
Auxiliary Engines	2 x Perkin, 6 TGM2AM, 68 kW @ 1500 RPM
Propellers	4 x Fixed Pitch Propellers, 5-Blade
Steering Gear System	2 x Duplex Electro Hydraulic pump system
Rudder	2 Units

TANK CAPACITIES

Fuel Oil	31.68 m ³
Fresh Water	15.00 m ³

CARGO DISCHARGE CAPACITIES

Fuel Oil Pump	TECO 10 HP @ 50 Hz
Fresh Water Pump	SIMGE 220V 25A, 0.75 kW, 1HP @ 50 Hz, 2850 RPM
Bilge	TECO, 10 HP @ 50 Hz

DECK EQUIPMENT

Anchor Windlass c/w Bow	Provided
A Frame	3 T
Trolley Beam	0.5 T
Moon Pool	1 m x 1 m

ACCOMMODATION

Passenger Seats	13 Seats, 4 x 1 = 4 Berths
Crew	2 x 1, 2 x 4 = 10

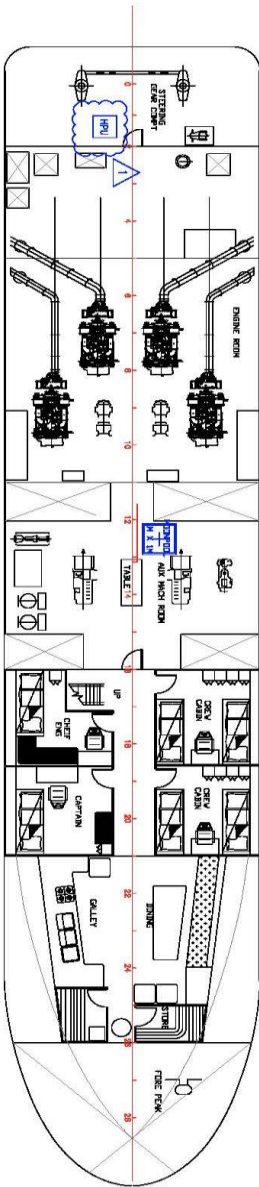
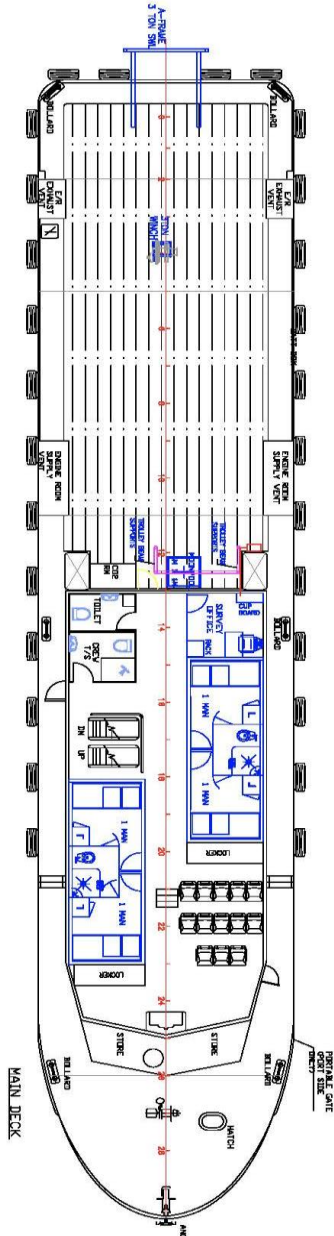
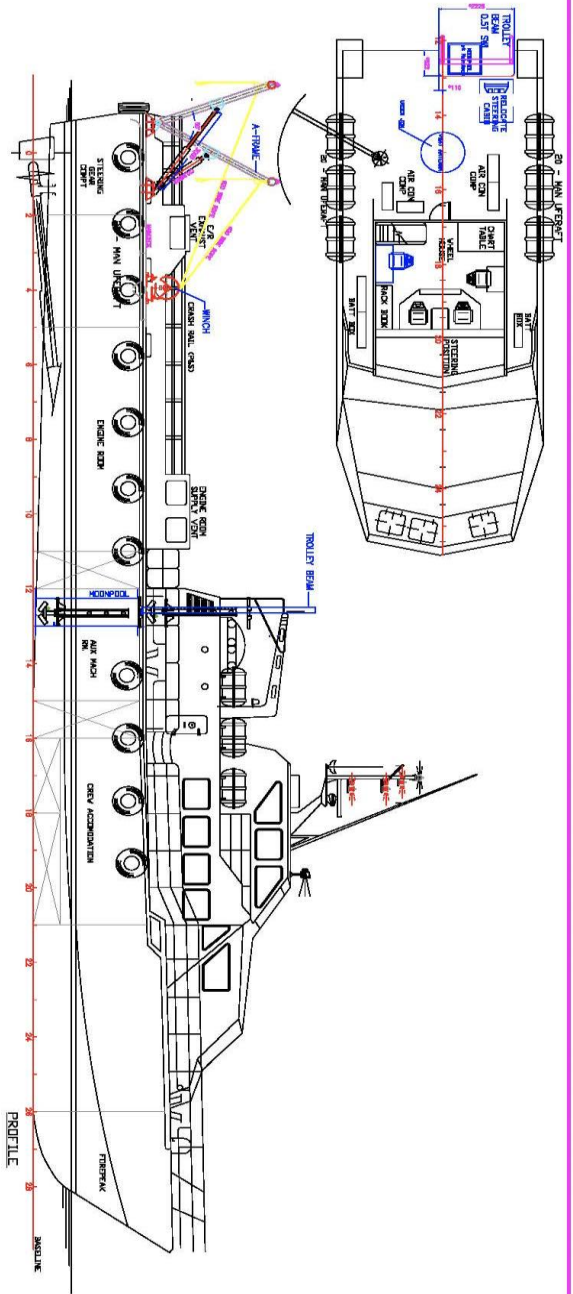
INTERNAL FIRE-FIGHTING & ANTI-POLLUTION EQUIPMENT

Emergency Fire Pump	Portable Diesel Engine Driven Pump
CO2 Fi-Fi System	Fixed CO2 System for Engine Room
Fire Detection & Alarm	Stand Alone Type

LIFE-SAVING EQUIPMENT

Life Rafts	SOLAS Compliant
------------	-----------------

Particulars are believed to be correct but not guaranteed. Owners reserve the rights to amend the specifications without notifications. Particulars are entirely without warranty as to correctness and interested parties must inspect vessel's certificates, drawings or physical inspection of vessel.



PRINCIPAL PARTICULARS

LENGTH O.A.	36.60 M
LENGTH W.P.	34.40 M
LENGTH B.P.	33.40 M
BREADTH M.L.D.	7.60 M
DEPTH M.L.D.	3.30 M
COMPLEMENT	10 CREW

NOTES:
 * OMBE FINANCE TO BE PROVIDED FROM WORKBOOK AND WANT TO SURREY OFFICE AND SURREY OFFICE TO BROKER

ADD FOR AND RESERVE FOR BY	1	YES	NO	DATE
REVISION AND APPROVAL	0	YES	NO	3 JUN 2021
ISSUE FOR BY REVISION AND APPROVAL	REV	FROM BY	DATE	

MICLYN EXPRESS OFFSHORE

TITLE:	GENERAL ARRANGEMENT PLAN
SHIP NAME:	EXPRESS 04
COMPANY NO.:	MEO02064001
DESIGNED BY:	1
CHECKED BY:	1
DATE:	1 JUN 21
APPROVED BY:	AS
DATE:	24 JUN 2021

1. MEO MICLYN EXPRESS OFFSHORE
 2. MICLYN EXPRESS OFFSHORE
 3. MICLYN EXPRESS OFFSHORE
 4. MICLYN EXPRESS OFFSHORE
 5. MICLYN EXPRESS OFFSHORE
 6. MICLYN EXPRESS OFFSHORE
 7. MICLYN EXPRESS OFFSHORE
 8. MICLYN EXPRESS OFFSHORE
 9. MICLYN EXPRESS OFFSHORE
 10. MICLYN EXPRESS OFFSHORE
 11. MICLYN EXPRESS OFFSHORE
 12. MICLYN EXPRESS OFFSHORE
 13. MICLYN EXPRESS OFFSHORE
 14. MICLYN EXPRESS OFFSHORE
 15. MICLYN EXPRESS OFFSHORE
 16. MICLYN EXPRESS OFFSHORE
 17. MICLYN EXPRESS OFFSHORE
 18. MICLYN EXPRESS OFFSHORE
 19. MICLYN EXPRESS OFFSHORE
 20. MICLYN EXPRESS OFFSHORE
 21. MICLYN EXPRESS OFFSHORE
 22. MICLYN EXPRESS OFFSHORE
 23. MICLYN EXPRESS OFFSHORE
 24. MICLYN EXPRESS OFFSHORE
 25. MICLYN EXPRESS OFFSHORE
 26. MICLYN EXPRESS OFFSHORE
 27. MICLYN EXPRESS OFFSHORE
 28. MICLYN EXPRESS OFFSHORE
 29. MICLYN EXPRESS OFFSHORE
 30. MICLYN EXPRESS OFFSHORE
 31. MICLYN EXPRESS OFFSHORE
 32. MICLYN EXPRESS OFFSHORE
 33. MICLYN EXPRESS OFFSHORE
 34. MICLYN EXPRESS OFFSHORE
 35. MICLYN EXPRESS OFFSHORE
 36. MICLYN EXPRESS OFFSHORE
 37. MICLYN EXPRESS OFFSHORE
 38. MICLYN EXPRESS OFFSHORE
 39. MICLYN EXPRESS OFFSHORE
 40. MICLYN EXPRESS OFFSHORE
 41. MICLYN EXPRESS OFFSHORE
 42. MICLYN EXPRESS OFFSHORE
 43. MICLYN EXPRESS OFFSHORE
 44. MICLYN EXPRESS OFFSHORE
 45. MICLYN EXPRESS OFFSHORE
 46. MICLYN EXPRESS OFFSHORE
 47. MICLYN EXPRESS OFFSHORE
 48. MICLYN EXPRESS OFFSHORE
 49. MICLYN EXPRESS OFFSHORE
 50. MICLYN EXPRESS OFFSHORE
 51. MICLYN EXPRESS OFFSHORE
 52. MICLYN EXPRESS OFFSHORE
 53. MICLYN EXPRESS OFFSHORE
 54. MICLYN EXPRESS OFFSHORE
 55. MICLYN EXPRESS OFFSHORE
 56. MICLYN EXPRESS OFFSHORE
 57. MICLYN EXPRESS OFFSHORE
 58. MICLYN EXPRESS OFFSHORE
 59. MICLYN EXPRESS OFFSHORE
 60. MICLYN EXPRESS OFFSHORE
 61. MICLYN EXPRESS OFFSHORE
 62. MICLYN EXPRESS OFFSHORE
 63. MICLYN EXPRESS OFFSHORE
 64. MICLYN EXPRESS OFFSHORE
 65. MICLYN EXPRESS OFFSHORE
 66. MICLYN EXPRESS OFFSHORE
 67. MICLYN EXPRESS OFFSHORE
 68. MICLYN EXPRESS OFFSHORE
 69. MICLYN EXPRESS OFFSHORE
 70. MICLYN EXPRESS OFFSHORE
 71. MICLYN EXPRESS OFFSHORE
 72. MICLYN EXPRESS OFFSHORE
 73. MICLYN EXPRESS OFFSHORE
 74. MICLYN EXPRESS OFFSHORE
 75. MICLYN EXPRESS OFFSHORE
 76. MICLYN EXPRESS OFFSHORE
 77. MICLYN EXPRESS OFFSHORE
 78. MICLYN EXPRESS OFFSHORE
 79. MICLYN EXPRESS OFFSHORE
 80. MICLYN EXPRESS OFFSHORE
 81. MICLYN EXPRESS OFFSHORE
 82. MICLYN EXPRESS OFFSHORE
 83. MICLYN EXPRESS OFFSHORE
 84. MICLYN EXPRESS OFFSHORE
 85. MICLYN EXPRESS OFFSHORE
 86. MICLYN EXPRESS OFFSHORE
 87. MICLYN EXPRESS OFFSHORE
 88. MICLYN EXPRESS OFFSHORE
 89. MICLYN EXPRESS OFFSHORE
 90. MICLYN EXPRESS OFFSHORE
 91. MICLYN EXPRESS OFFSHORE
 92. MICLYN EXPRESS OFFSHORE
 93. MICLYN EXPRESS OFFSHORE
 94. MICLYN EXPRESS OFFSHORE
 95. MICLYN EXPRESS OFFSHORE
 96. MICLYN EXPRESS OFFSHORE
 97. MICLYN EXPRESS OFFSHORE
 98. MICLYN EXPRESS OFFSHORE
 99. MICLYN EXPRESS OFFSHORE
 100. MICLYN EXPRESS OFFSHORE