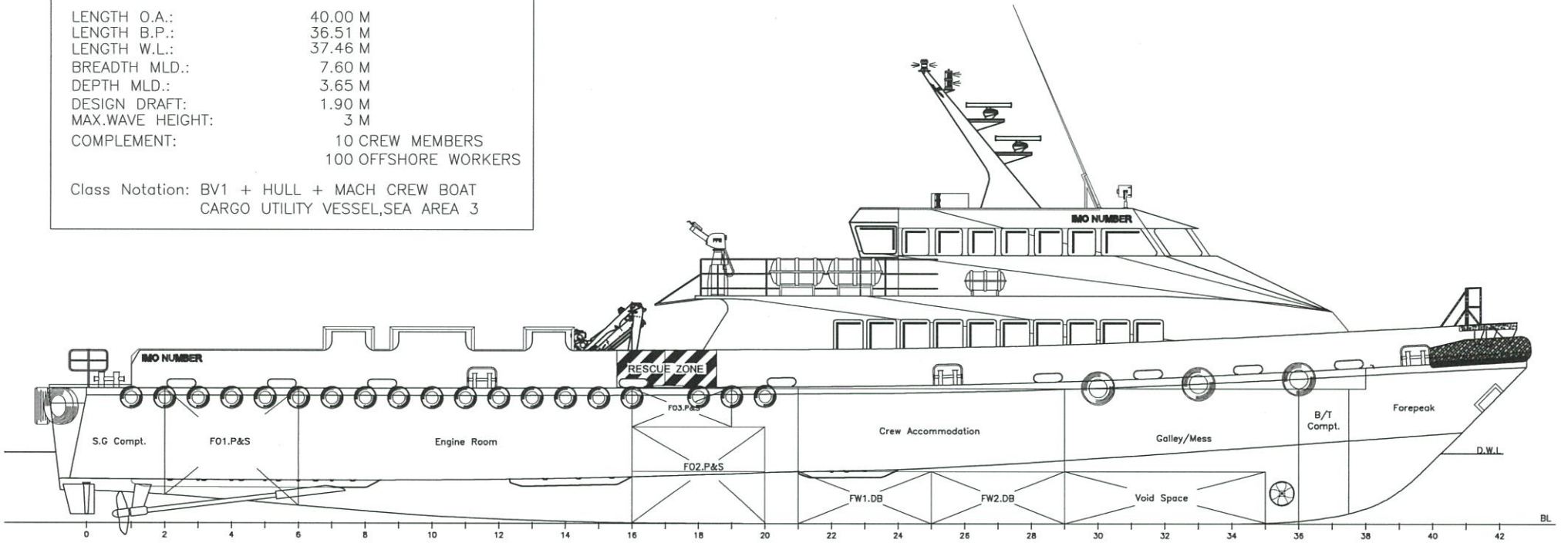
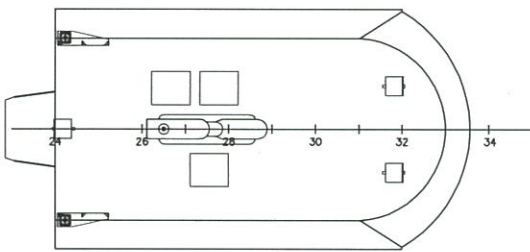


LENGTH O.A.: 40.00 M
 LENGTH B.P.: 36.51 M
 LENGTH W.L.: 37.46 M
 BREADTH MLD.: 7.60 M
 DEPTH MLD.: 3.65 M
 DESIGN DRAFT: 1.90 M
 MAX. WAVE HEIGHT: 3 M
 COMPLEMENT: 10 CREW MEMBERS
 100 OFFSHORE WORKERS

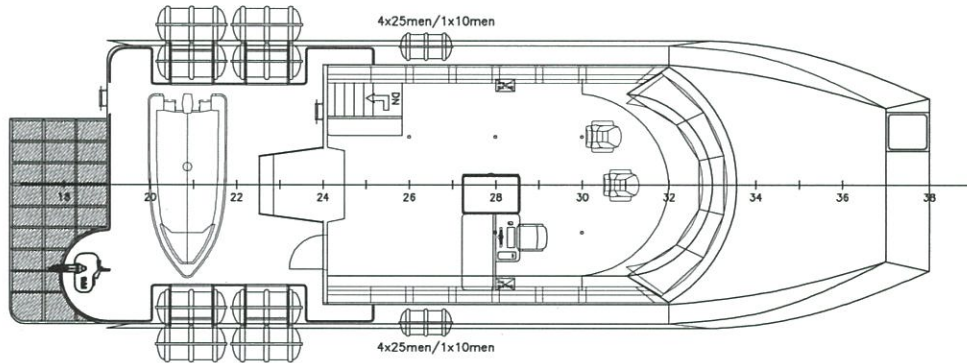
Class Notation: BV1 + HULL + MACH CREW BOAT
 CARGO UTILITY VESSEL, SEA AREA 3



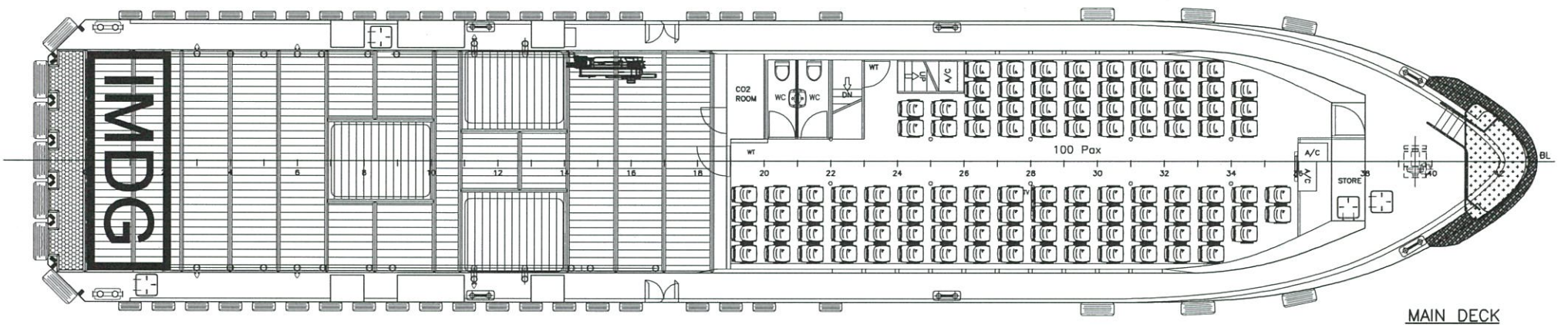
PROFILE



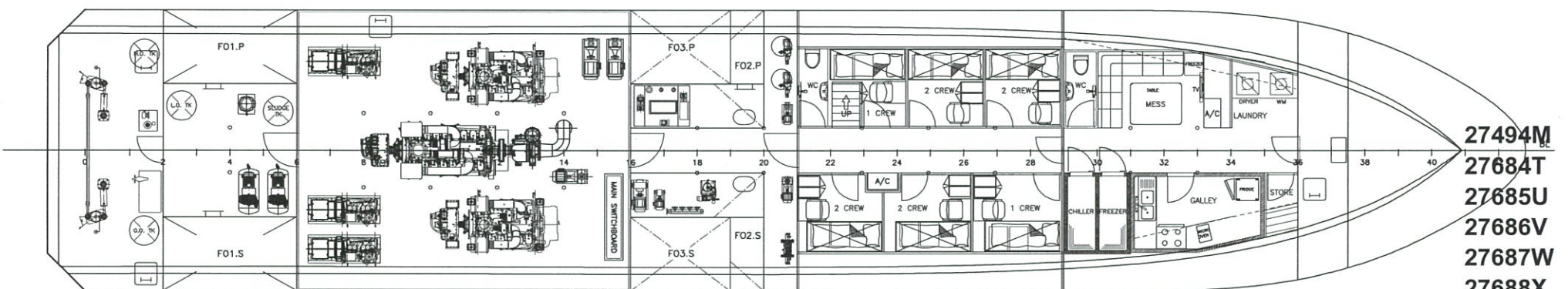
WHEELHOUSE TOP



WHEELHOUSE PLAN



MAIN DECK



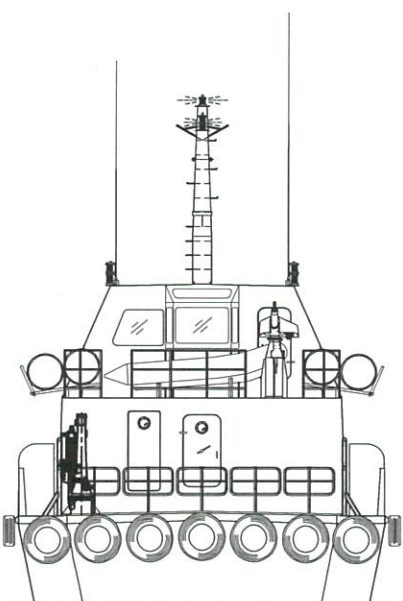
BELOW MAIN DECK

- 27494M
- 27684T
- 27685U
- 27686V
- 27687W
- 27688X
- 27689Y

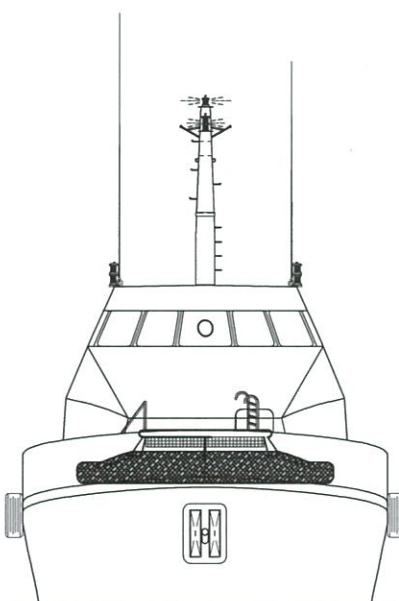
BUREAU VERITAS Section 27695F
VU avec observations

Singapore, 03-Aug-2014

[Electronic document]
 The plan approval office
 SPO/14/02904



STERN VIEW



FRONT VIEW

PROJECT:	FLEX-40S (H255,260,261,263,264,265,268,276)		
TITLE:	GENERAL ARRANGEMENT		
PENGUIN SHIPYARD INTERNATIONAL PTE LTD 18 Tuas Basin Link, Singapore 638784 Tel: 68628322 Fax: 68622150			
<small>This drawing and the information contained herein is supplied on the understanding that they are the exclusive property of Penguin Shipyard International Pte Ltd. They must not be used or reproduced in whole or in part, without permission in writing.</small>			
DRAWN:	STEPHEN	DATE:	27.MAR.2014
CHECKED:	YAW JH	DATE:	28.MAR.2014
APPROVED:	CHEW KH	DATE:	28.MAR.2014
DRAWING No.:	PSI-H255-G-01	REVISION:	A
			SHEET: 1 OF 1