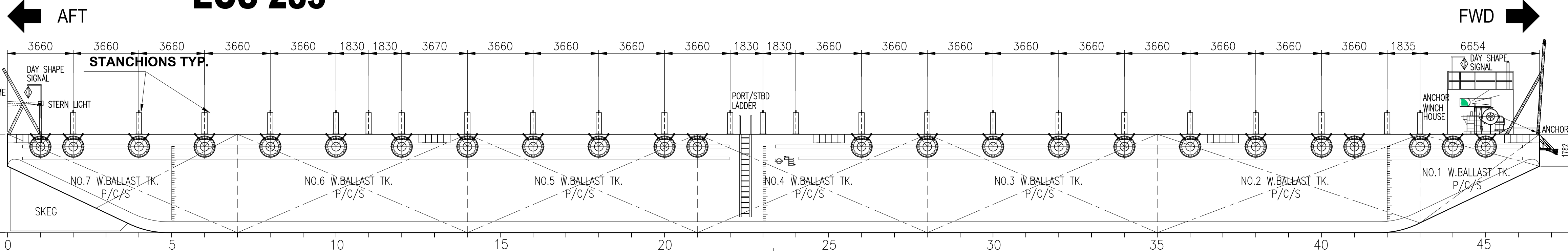


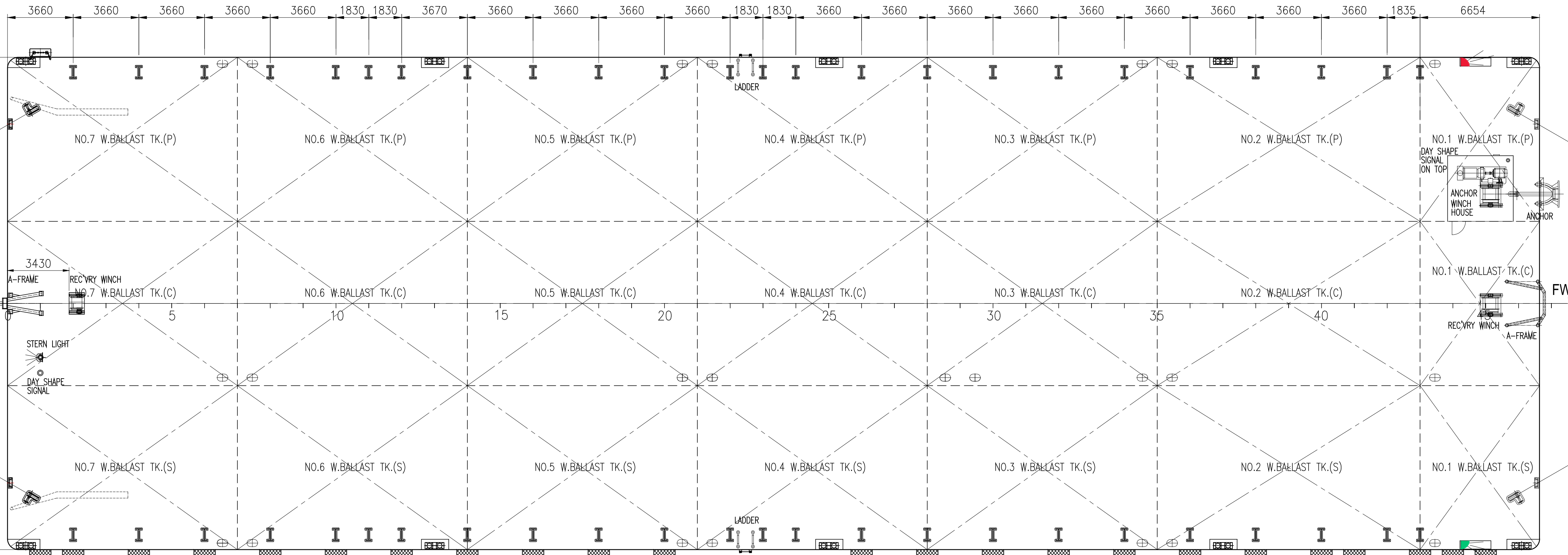
# GENERAL ARRANGEMENT PLAN for

## " EOS 285 "



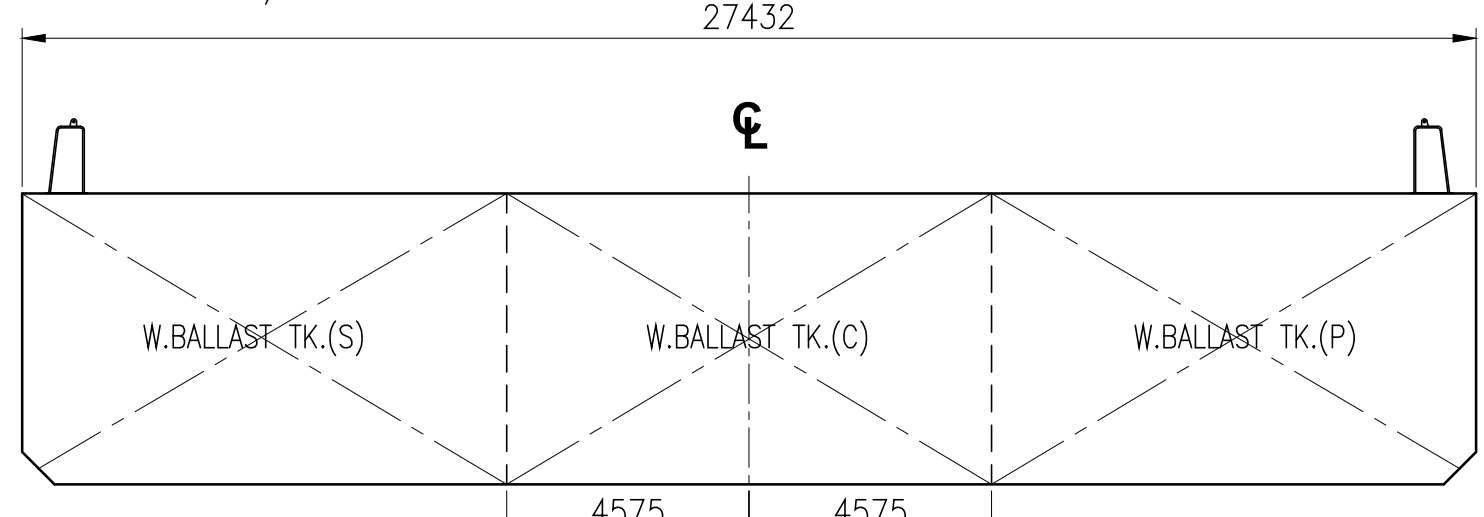
### PROFILE VIEW

STBD SIDE SHOWN: SCALE/ N.T.S



### MAIN DECK PLAN

SCALE/ N.T.S



### TRANSVERSE SECTION

LKG. FWD / N.T.S

### PRINCIPAL PARTICULARS

- LENGTH OVERALL - 85.344 M. (280'-00")
- BREADTH MLD. - 27.432 M. (90'-00")
- DEPTH MLD. - 5.486 M. (18'-00")
- DRAFT MLD. - 4.300 M. (14'-01")
- DECK LOAD - 20.00 TON/M2
- CLASS NOTATION: BV I + HULL PONTOON UNRESTRICTED NAVIGATION

- NOTE :
- ALL DIMENSIONS ARE IN MM UNLESS INDICATED OTHERWISE.
  - REFER TO "EXTERNAL TYP. STANCHION DETAIL (AS FITTED)". DWG. NO. G-100-01, REV. B, DATED 17/08/14 BY NANTONG TONGSHENG SHIPBUILDING CO., LTD.

DRAWING NO	REV	DRAWING TITLE	REV	DATE	DESCRIPTION	ORIGINATOR	REVIEWER	APPROVER	CLIENT	APPROVED	DATE
			4	02-08-18	UPDATED DRAWING AS PER CORRECT TANK NAME & NUMBER	JB	RS	SS	-		
			D	16-03-17	UPDATED DWG. AS PER NEW INSTL. AFT B.WINCH, A-FRAME & LADDER	JB	RS	CT	-	CONTRACT NO. : -	
			C	28-09-15	UPDATED WITH TRUE TANK NAME	JB	RS	CT	-	DRAWN : JB	
			B	17-08-15	UPDATED AS PER ACTUAL STANCHION LOCATION	JB	RS	CT	-	DFT. CHECKED : RS	
			A	14-08-14	ISSUED FOR RECORD & REFERENCE ONLY	JB	RS	CT	-	ENGINEER :	
										APPROVED : CT	14-08-14
										SCALE [ A3 SIZE ] :	

This Document Contains Confidential Proprietary Information And Shall Not Be Copied, Reproduced, Used, Transferred To Other Documents Or Disclosed To Others For Any Purpose Unless Authorized By EOS

Purchaser Review & Comments shall not be assumed to indicate either responsibility or liability for accuracy & completeness of this document or to alter any contractual terms and conditions.

**EOS**  
EXPRESS OFFSHORE SOLUTIONS

10 HOE CHIANG ROAD,  
#09-01 KEPPEL TOWERS,  
SINGAPORE 089315  
TEL: (65) 6545 6211  
FAX: (65) 6820 0167

CONTRACT TITLE: Marine Transportation of Offshore Pipe Lines

TITLE: GENERAL ARRANGEMENT PLAN BARGE - EOS 285

EOS DWG. NO. EOS-ENGG-004

SHT. 1 OF 1 REV. 4