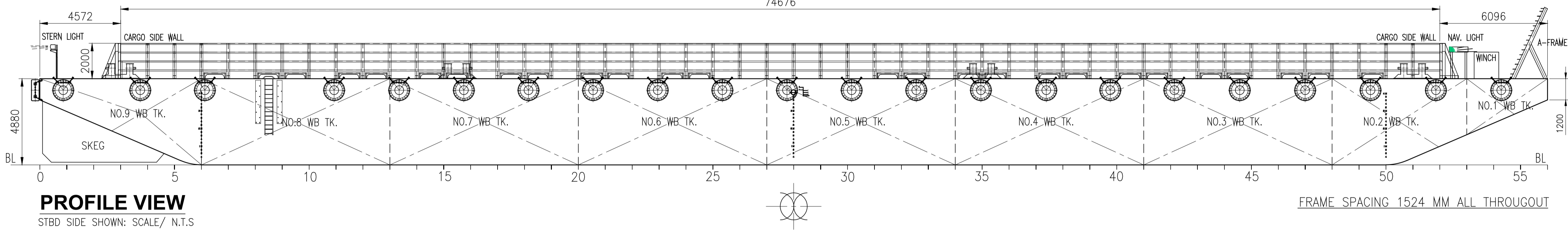


GENERAL ARRANGEMENT PLAN for " CREST 288 "

← AFT

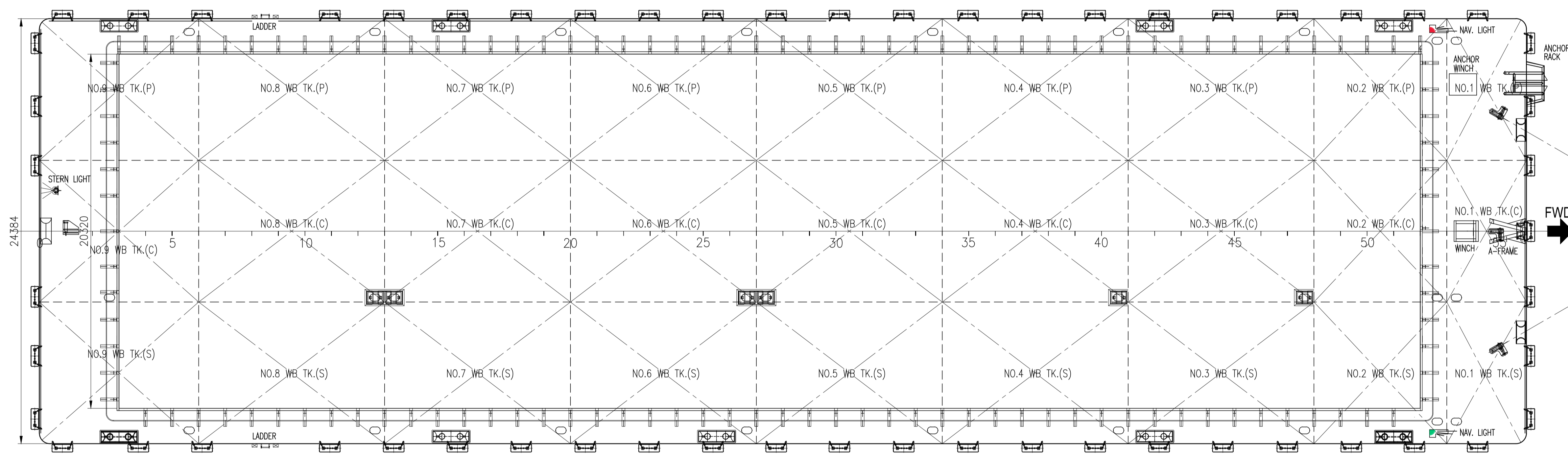
FWD →

74676



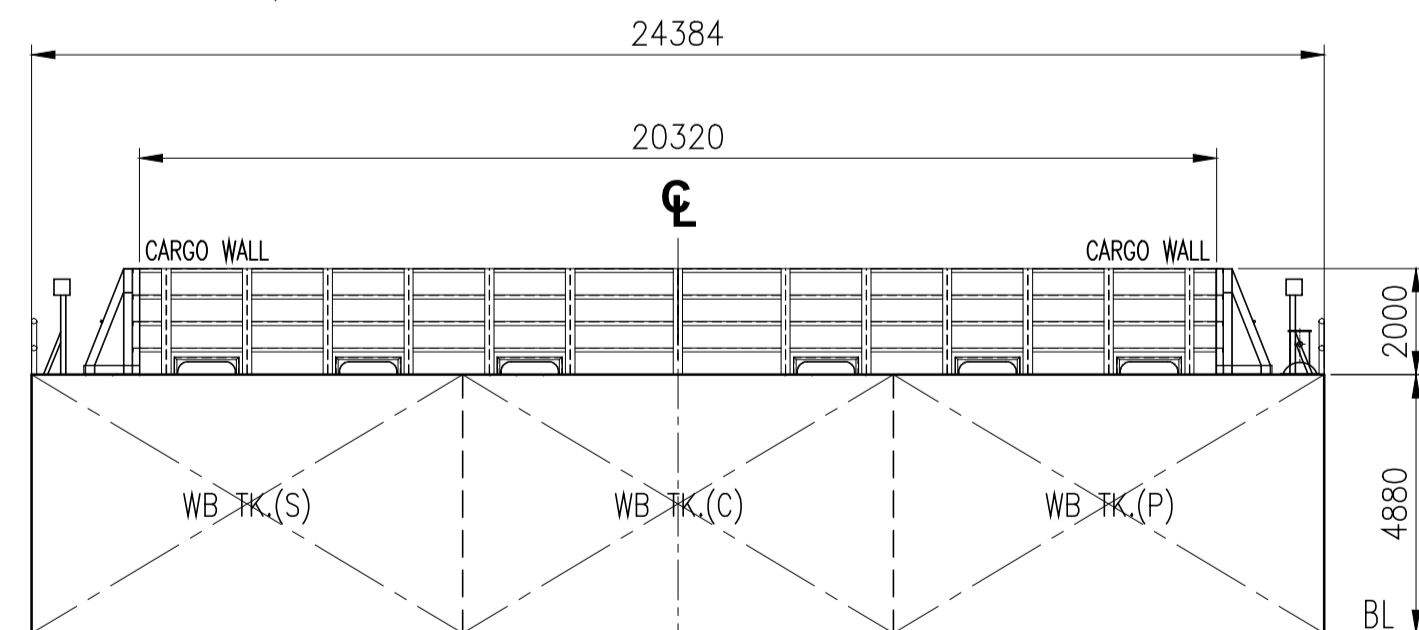
PROFILE VIEW

STBD SIDE SHOWN: SCALE/ N.T.S



MAIN DECK PLAN

SCALE/ N.T.S



TRANSVERSE SECTION

LKG. FWD / N.T.S

PRINCIPAL PARTICULARS

LENGTH OVERALL - 85.344 M. (280'-00")
BREADTH MLD. - 24.384 M. (80'-00")
DEPTH MLD. - 4.880 M. (16'-00")
DRAFT MLD. - 3.760 M. (12'-04")
DECK LOAD - 15.000 TON/M2
CLASS NOTATION: BV + HULL PONTOON
UNRESTRICTED NAVIGATION

NOTE :
1. ALL DIMENSIONS ARE IN MM UNLESS INDICATED OTHERWISE.

DRAWING NO	REV	DRAWING TITLE	REV	DATE	DESCRIPTION	ORIGINATOR	REVIEWER	APPROVER	CLIENT	APPROVED	DATE
			4	29-08-19	AS - FITTED	JB	RS	CT	-		
			3	23-08-19	UPDATED DRAWING WITH MODIFIED DK. CARGO SIDE WALL	JB	RS	CT	-	CONTRACT NO. : -	
			2	03-05-19	UPDATED DRAWING WITH REMOVED STRUCTURE	JB	RS	CE	-	DRAWN : JB	
			1	27-02-19	UPDATED DRAWING	JB	RS	CE	-	DFT. CHECKED : RS	
			0	02-02-12	ISSUED FOR RECORD & REFERENCE ONLY	KS	FE	FE	-	ENGINEER :	
										APPROVED : CT	26-02-19
										SCALE [A3 SIZE] :	

This Document Contains Confidential Proprietary Information And Shall Not Be Copied, Reproduced, Used, Transferred To Other Documents Or Disclosed To Others For Any Purpose Unless Authorized By EOS

Purchaser Review & Comments shall not be assumed to indicate either responsibility or liability for accuracy & completeness of this document or to alter any contractual terms and conditions.

EOS
EXPRESS OFFSHORE SOLUTIONS

10 HOE CHIANG ROAD,
#09-01 KEPPEL TOWERS,
SINGAPORE 089315
TEL: (65) 6545 6211
FAX: (65) 6820 0167

CONTRACT TITLE: Marine Transportation of Offshore Pipe Lines

TITLE: **GENERAL ARRANGEMENT PLAN
BARGE - CREST 288**

EOS DWG. NO. EOS-ENGG-134

SHT. 1 OF 1 REV. 4