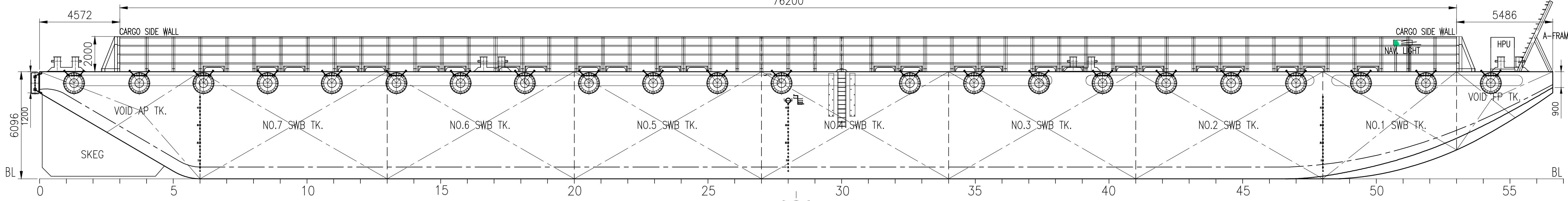


GENERAL ARRANGEMENT PLAN for " SEALINK PACIFIC 392 "

← AFT

FWD →

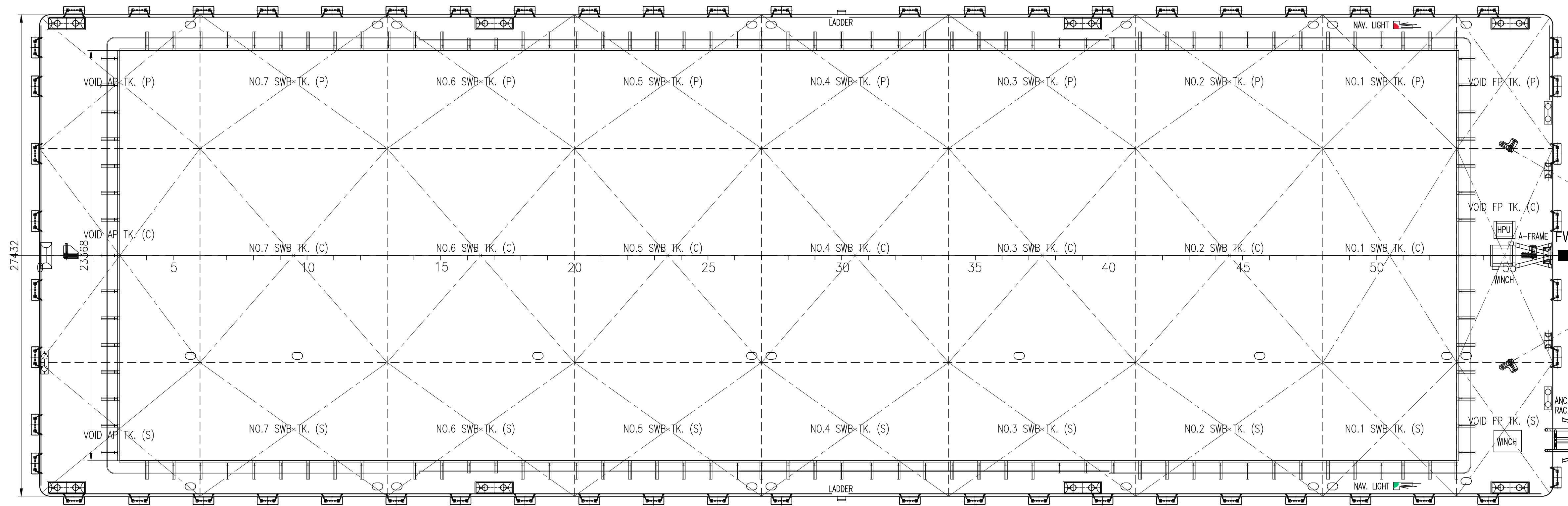
76200



PROFILE VIEW

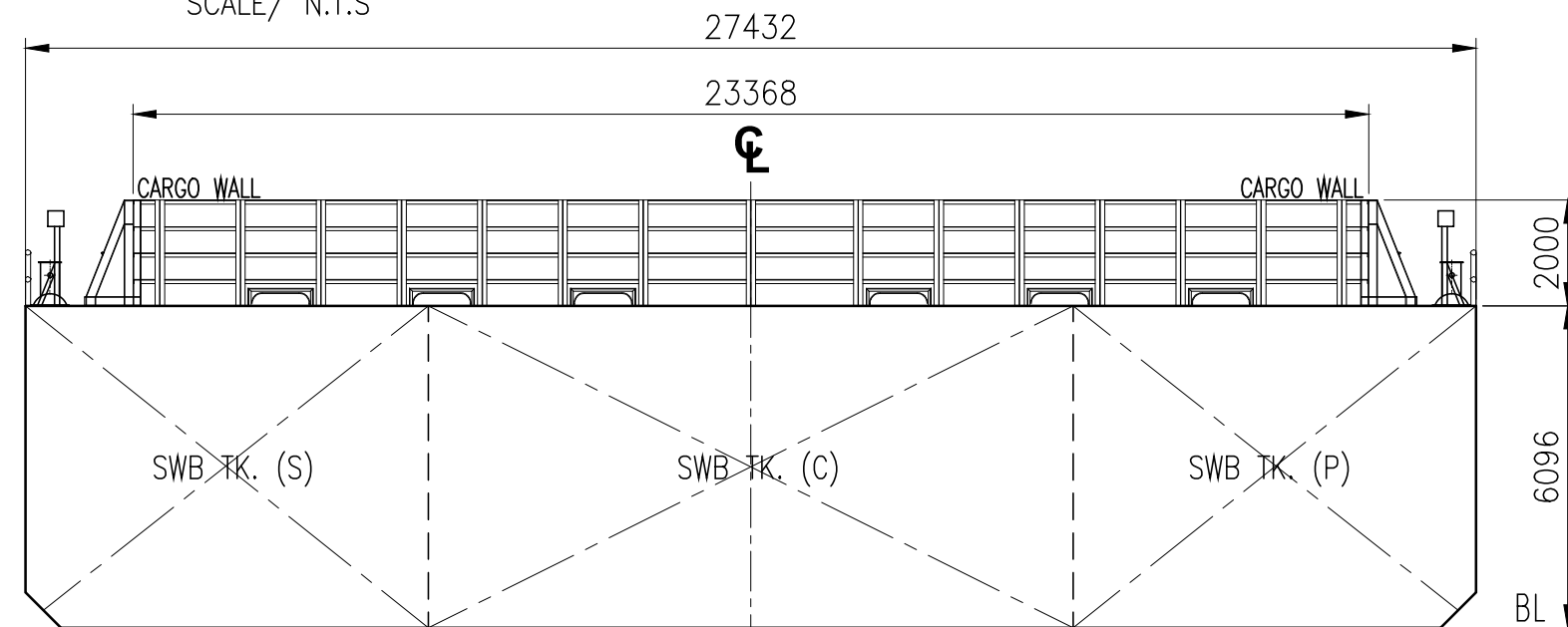
STBD SIDE SHOWN: SCALE/ N.T.S

FRAME SPACING 1524 MM ALL THROUGHOUT



MAIN DECK PLAN

SCALE/ N.T.S



TRANSVERSE SECTION

LKG. FWD / N.T.S

PRINCIPAL PARTICULARS

- LENGTH OVERALL - 86.258 M. (283'-00")
- BREADTH MLD. - 27.432 M. (90'-00")
- DEPTH MLD. - 6.096 M. (20'-00")
- DRAFT MLD. - 5.029 M. (16'-06")
- DECK LOAD - 15.000 TON/M2
- CLASS NOTATION: ABS + TANK BARGE

NOTE :
1. ALL DIMENSIONS ARE IN MM UNLESS INDICATED OTHERWISE.

DRAWING NO	REV	DRAWING TITLE	REV	DATE	DESCRIPTION	ORIGINATOR	REVIEWER	APPROVER	CLIENT	APPROVED	DATE
			4	28-08-19	AS - FITTED	JB	RS	CT	-		
			3	23-08-19	UPDATED DRAWING WITH MODIFIED DK. CARGO SIDE WALL	JB	RS	CT	-	CONTRACT NO. : -	
			2	26-02-19	UPDATED DRAWING WITH REMOVED STRUCTURE	JB	RS	CE	-	DRAWN : JB	
			1	20-02-19	UPDATED DRAWING	JB	RS	CE	-	DFT. CHECKED : RS	
			0	08-01-13	ISSUED FOR RECORD & REFERENCE ONLY	NM	FE	FE	-	ENGINEER :	
										APPROVED : CE	20-02-19
										SCALE [A3 SIZE] :	

This Document Contains Confidential Proprietary Information And Shall Not Be Copied, Reproduced, Used, Transferred To Other Documents Or Disclosed To Others For Any Purpose Unless Authorized By EOS

Purchaser Review & Comments shall not be assumed to indicate either responsibility or liability for accuracy & completeness of this document or to alter any contractual terms and conditions.



10 HOE CHIANG ROAD,
#09-01 KEPPEL TOWERS,
SINGAPORE 089315
TEL: (65) 6545 6211
FAX: (65) 6820 0167

CONTRACT TITLE: Marine Transportation of Offshore Pipe Lines

TITLE: GENERAL ARRANGEMENT PLAN
BARGE - SEALINK PACIFIC 392

EOS DWG. NO. EOS-ENGG-133 SH. 1 OF 1 REV. 4